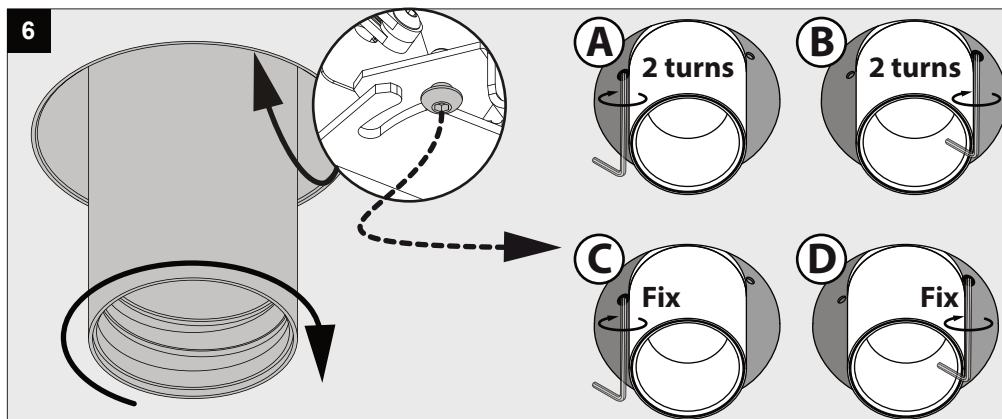
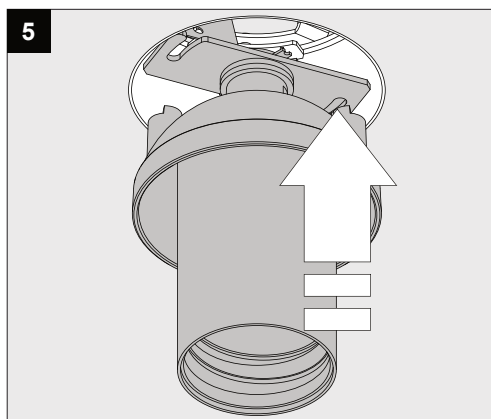
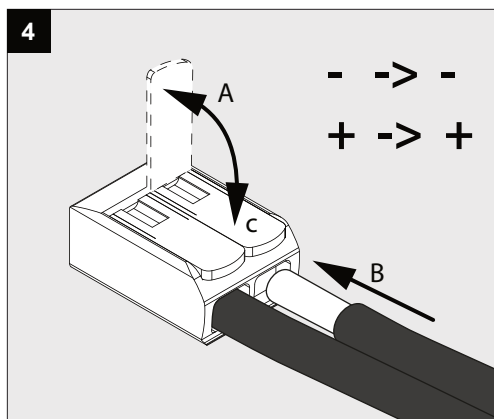
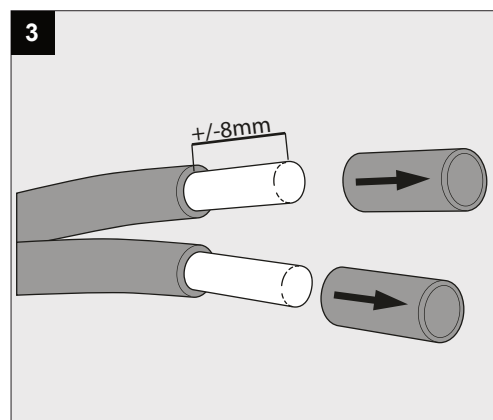
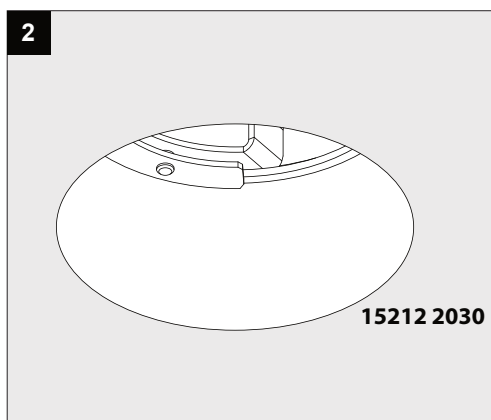
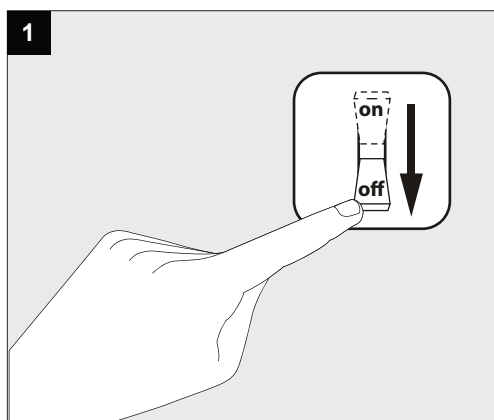
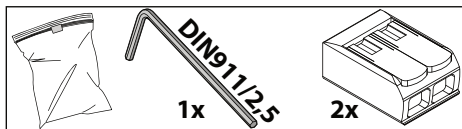
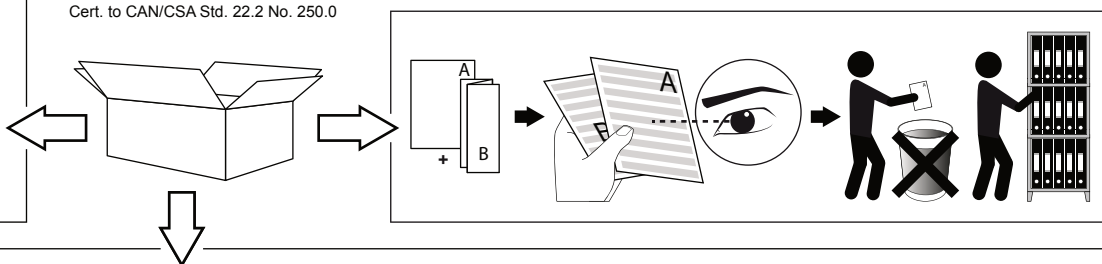


Intertek
Conforms to ANSI/UL Std. 1598
Cert. to CAN/CSA Std. 22.2 No. 250.0

SPY 52 TRIMLESS **A**





7

19810 0100

**MAX
700mA**

+ 19810 0010
or
+ 19810 0020
or
+ 19810 0030
or
+ 19810 0040
or
+ 19810 0050
or
+ 19810 0060

8

TURN TILL BLOCK

9

0-45°
355°

ACCESSORIES

1

19810 0100

2

19810 0010
19810 0020
19810 0030
19810 0040
19810 0050
19810 0060

3

4