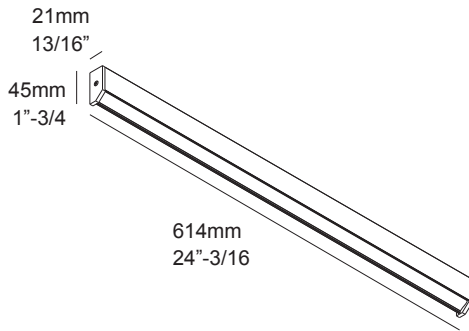


- DOT.COM ON WALLWASH 06 HO 927 ◇
6 16313 9200 ◇
◇ = B / W
- DOT.COM ON WALLWASH 06 HO 930 ◇
6 16313 9300 ◇
◇ = B / W
- DOT.COM ON WALLWASH 06 HO 935 ◇
6 16313 9500 ◇
◇ = B / W



Application

Wall, ceiling or suspended mounted

Color Finish

B - Black
W - White

Light source

1 x LED FLEX 12,6W

Product description

Surface treated aluminum construction
Remote, Class 2 power supply required
Max 350mA constant current / 36V-DC typical (Not included)
Suitable for dry or damp locations
Protected against solid objects greater than 12 mm ➔ IP20
Weight: 1,8lbs 0,6kg

Power supply - For recessed installations

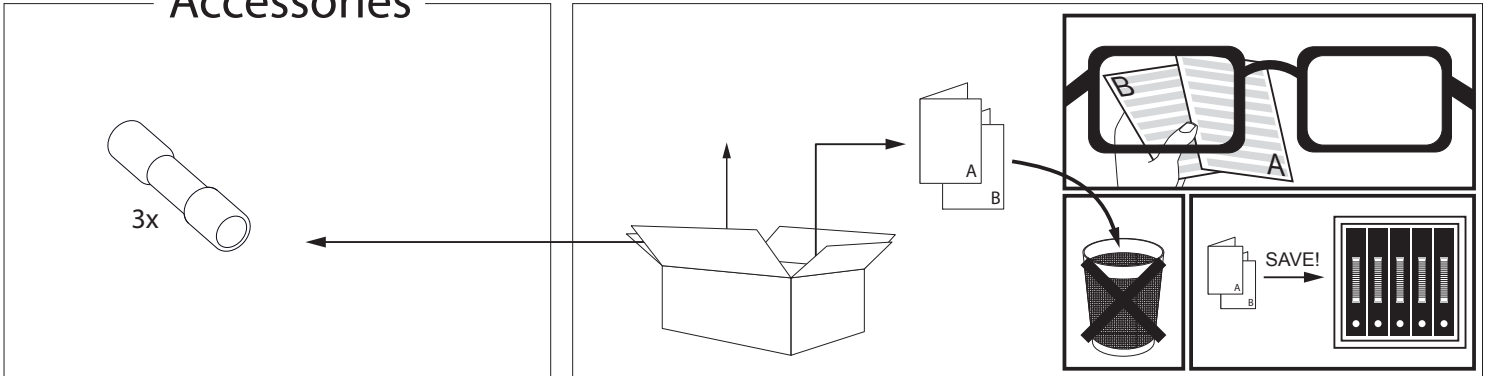
- | | |
|---------------|---------------------------------------|
| 6 300 14 ED7 | LED power supply multi-power DIM7 |
| 6 300 15 | LED power supply multi-power |
| 6 300 41 ED13 | LED power supply 350mA/DC / 19W DIM13 |
| 6 300 44 ED1 | LED power supply 350mA/DC / 19W DIM1 |
| 6 300 70 ED12 | LED power supply 350mA/DC / 13W DIM12 |

Options

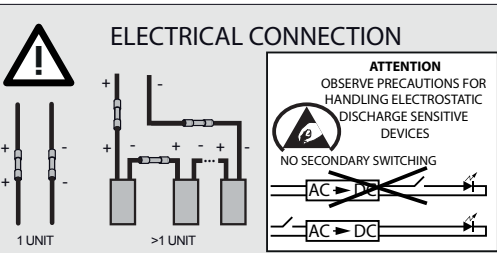
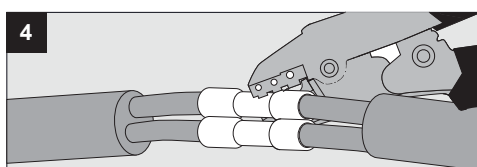
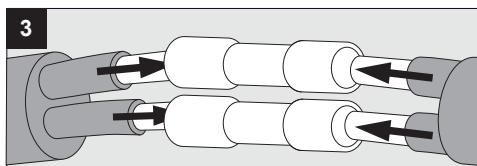
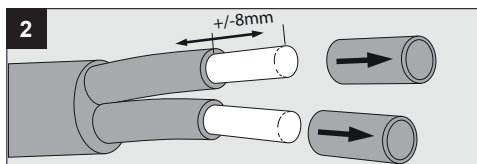
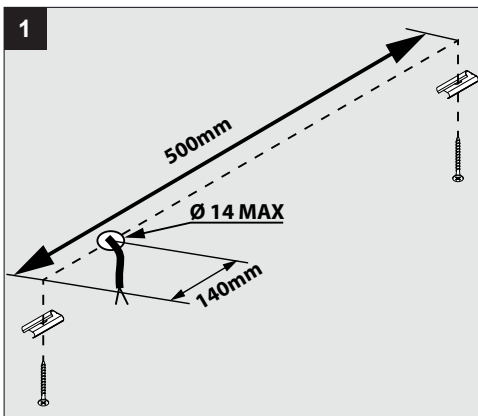
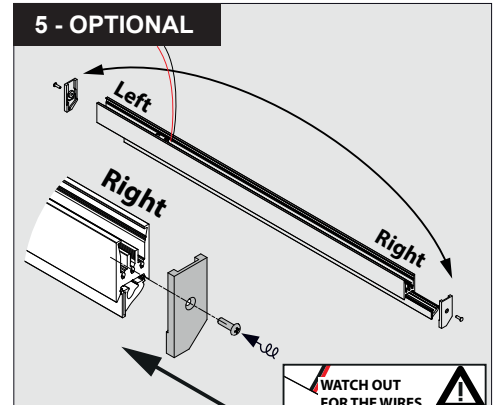
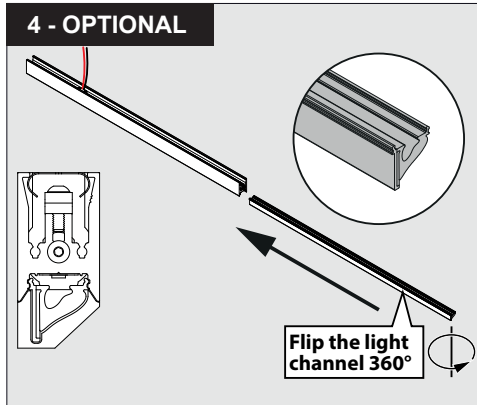
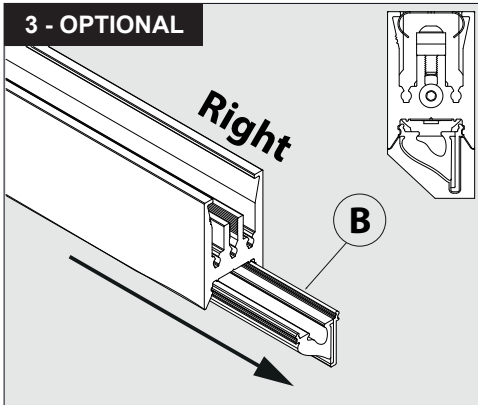
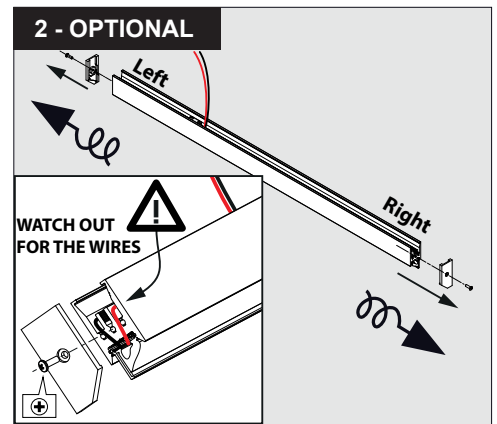
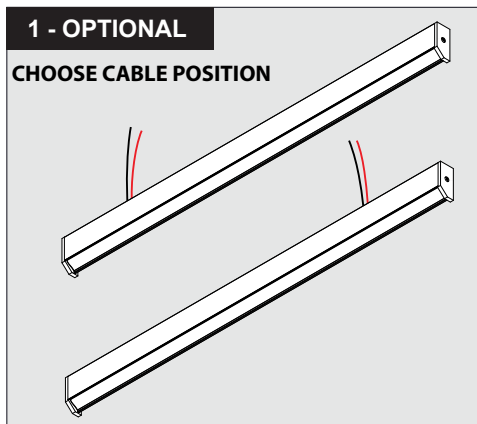
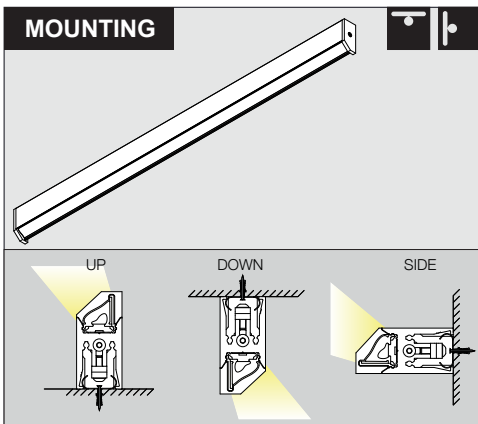
- | | |
|--------------|---|
| 391 09 01 | FTL35 - Suspension single 5' |
| 6 391 97 51 | FTL35 - Current supply 2x18 AWG L5'-1/4 |
| 6 204 99 103 | Coverplate S 103 |
| 6 204 00 104 | Coverplate R 104 |

INSTALLATION LUMINAIRE

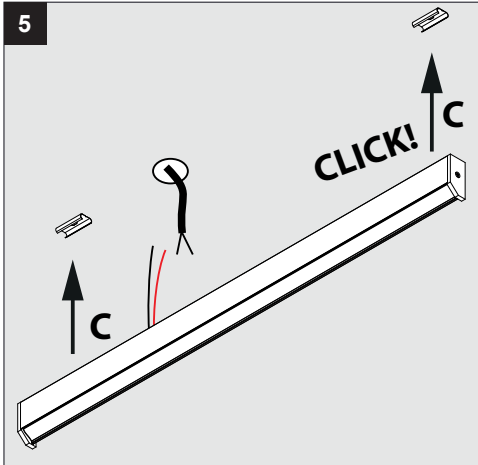
Accessories



FIXED MOUNTING



INSTALLATION LUMINAIRE



De verlichtingsbron van dit verlichtingstoestel zal enkel door de fabrikant of door de fabrikant aangestelde installateur vervangen worden.

La source lumière de cet appareil ne sera remplacée que par l'entreprise ou par un agent reconnu.

Das enthaltene Leuchtmittel sollte nur durch entsprechendes Fachpersonal ersetzt werden.

The light source contained in this luminaire shall only be replaced by the manufacturer or his service agent.

La fuente de iluminación que tiene esta luminaria sólo puede remplazarse por el fabricante o por un instalador autorizado.

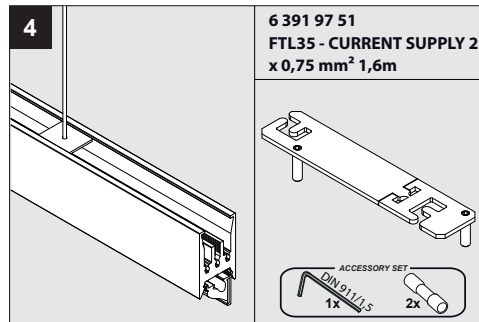
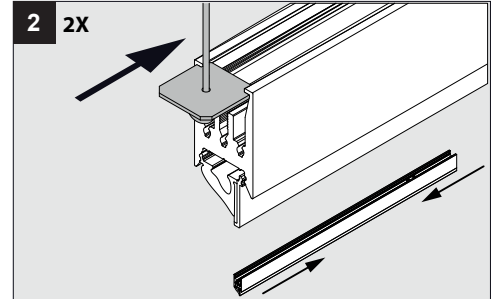
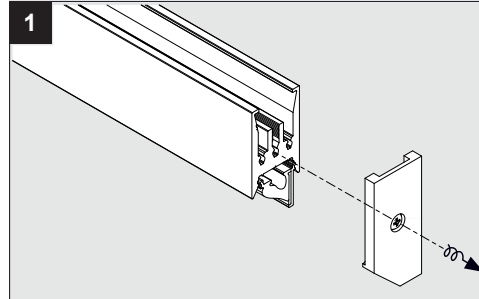
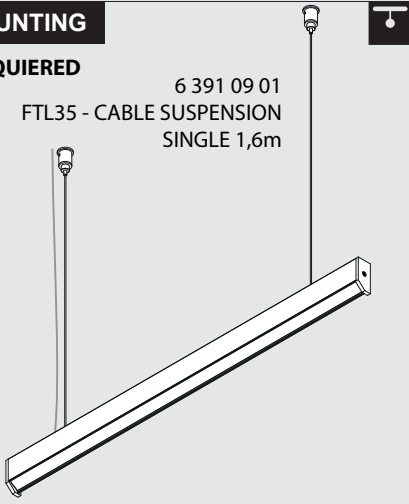
La sorgente luminosa incorporata in questo apparecchio può essere sostituita solo dal produttore, da un suo centro assistenza oppure da una persona in possesso della necessaria abilitazione.

SUSPENDED MOUNTING

MOUNTING

REQUIRED

6 391 09 01
FTL35 - CABLE SUSPENSION
SINGLE 1,6m



6 391 97 51
FTL35 - CURRENT SUPPLY 2
x 0,75 mm² 1,6m

ACCESSORY SET
DIN 913/1,5 1x 2x

