

DOT.COM L WALLWASH 06 ST 927 HO ◇

6 11522 9200 ◇

◇ = W-B

DOT.COM L WALLWASH 06 ST 930 HO ◇

6 11522 9300 ◇

◇ = W-B

DOT.COM L WALLWASH 06 ST 935 HO ◇

6 11522 9500 ◇

◇ = W-B

**Application**

NON-IC ceiling recessed luminaire for wall and ceiling applications.

Color Finish

B - Black

W - White

Light source

1 x LED FLEX 12,6W

Product description

Surface treated aluminum construction

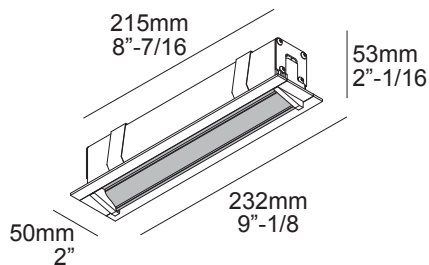
Remote, Class 2 power supply required

Max 350mA constant current / 36V-DC typical (Not included)

Suitable for dry or damp locations

Protected against solid objects greater than 12 mm ➡ IP20

Weight: 2,9lbs 1,3kg

**Power supply - For recessed installations**

6 300 15

LED power supply multi-power

6 300 41 ED13

LED power supply 350mA/DC / 19W DIM13

6 300 44 ED1

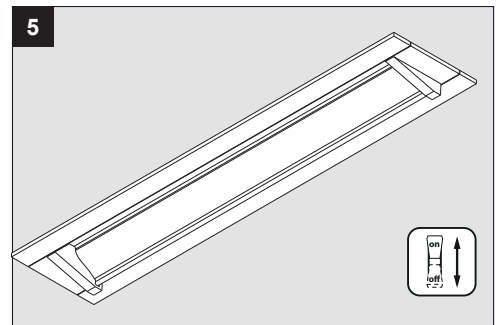
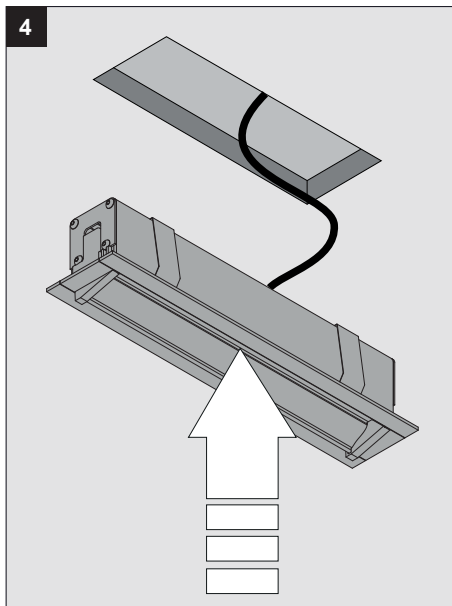
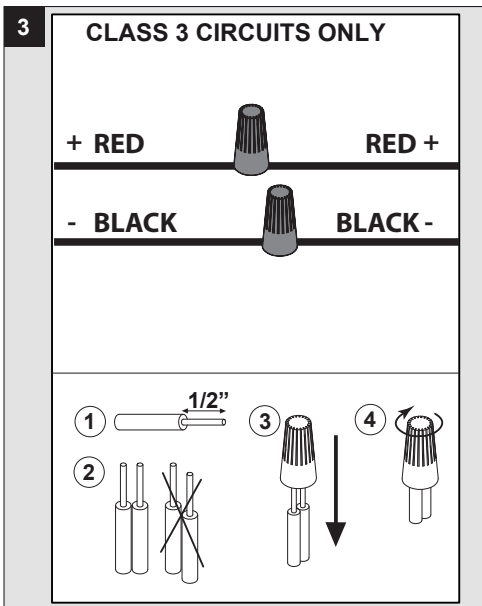
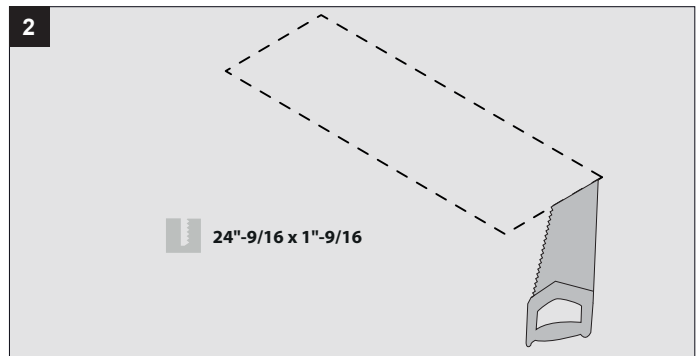
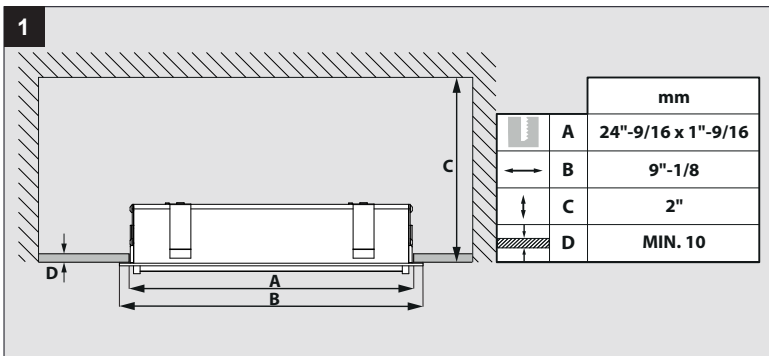
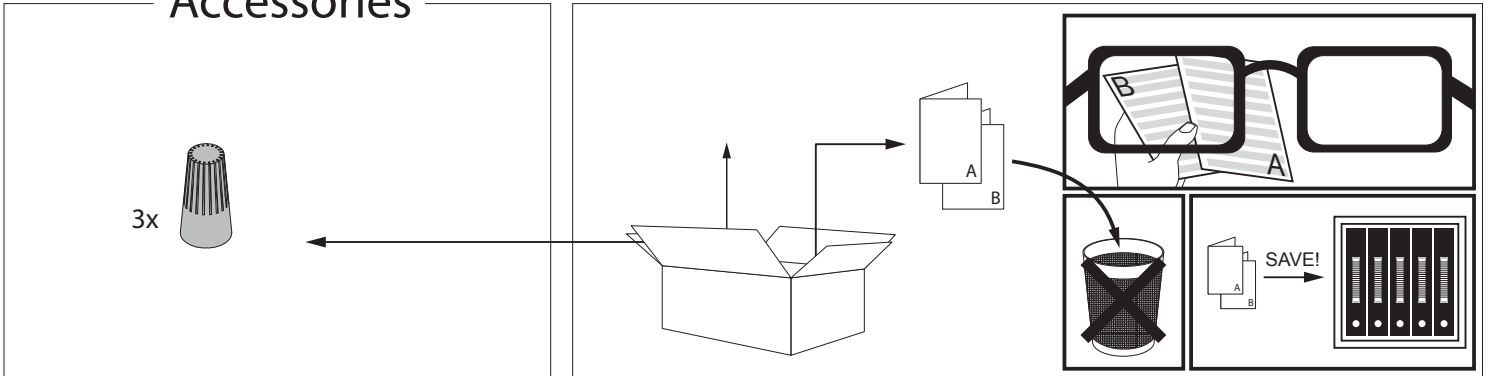
LED power supply 350mA/DC / 19W DIM1

6 300 70 ED12

LED power supply 350mA/DC / 13W DIM12

INSTALLATION LUMINAIRE

Accessories



De verlichtingsbron van dit verlichtingstoestel zal enkel door de fabrikant of door de fabrikant aangestelde installateur vervangen worden.

La source lumière de cet appareil ne sera remplacée que par l'entreprise ou par un agent reconnu.

Das enthaltene Leuchtmittel sollte nur durch entsprechendes Fachpersonal ersetzt werden.

The light source contained in this luminaire shall only be replaced by the manufacturer or his service agent.

La fuente de iluminación que tiene esta luminaria sólo puede remplazarse por el fabricante o por un instalador autorizado.

La sorgente luminosa incorporata in questo apparecchio può essere sostituita solo dal produttore, da un suo centro assistenza oppure da una persona in possesso della necessaria abilitazione.

ATTENTION
OBSERVE PRECAUTIONS FOR HANDLING ELECTROSTATIC DISCHARGE SENSITIVE DEVICES

NO SECONDARY SWITCHING