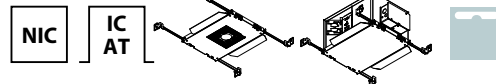
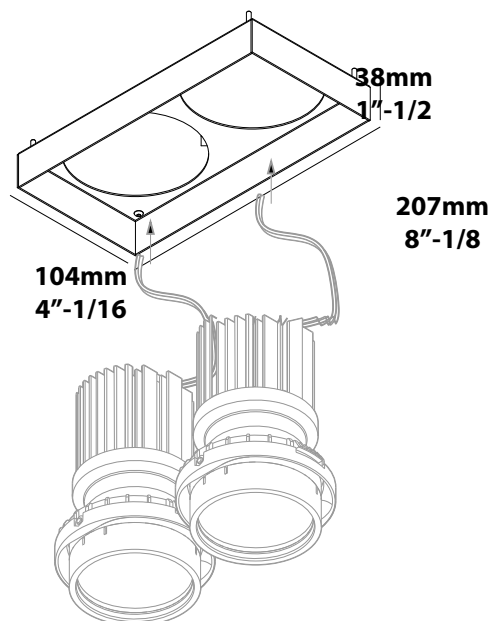


MINIGRID IN TRIMLESS 2 HP FRAME

6 202 792 02◇

◇ = W / B



**Application**

Finishing section to be used with DELTA LIGHT® rough-in housing or Plasterframe.

**Ceiling Thickness**

For 5/8" ceiling standard up to 7/8"

**Specification features**

Housing fabricated of surface treated aluminum  
 Provided with 4 spring clips to be clipped in housing or plasterframe  
 Suitable for dry and damp locations.

**Light source (see requirement MINIGRID SNAP-IN HP)**

Two 24,3W max POWERLED WHITE

**Power Supply (see requirement MINIGRID SNAP-IN HP)**

Current controled class 2 power supply required. (supplied with housing or plasterframe)  
 700mA: 34,7V typical for use with MINIGRID SNAP-IN HP  
 Do not interconnect in parallel!

**Dimensions**

Height: 38mm = 1"-1/2  
 width: 104mm x 207mm = 4"-1/8 x 8"-1/8

**Required options for non-class 2 power limited circuits**

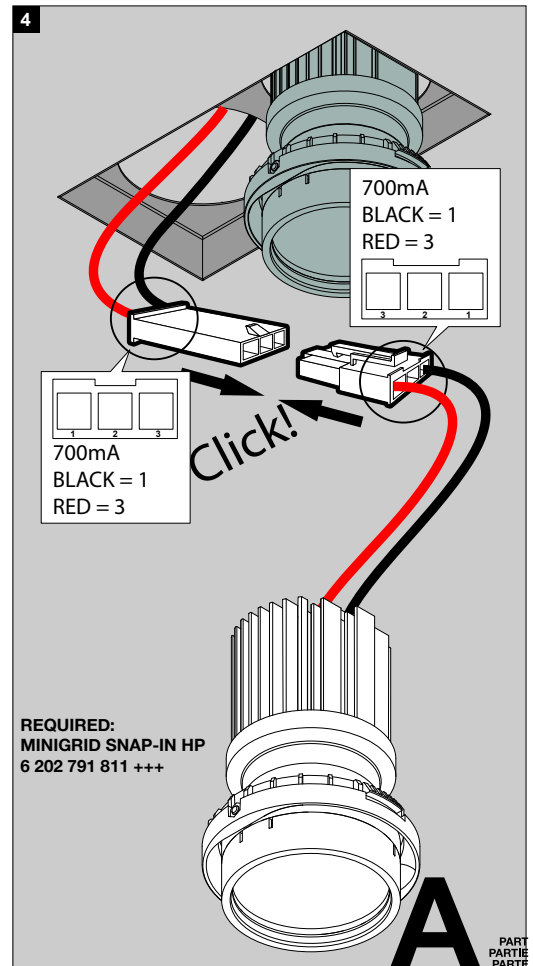
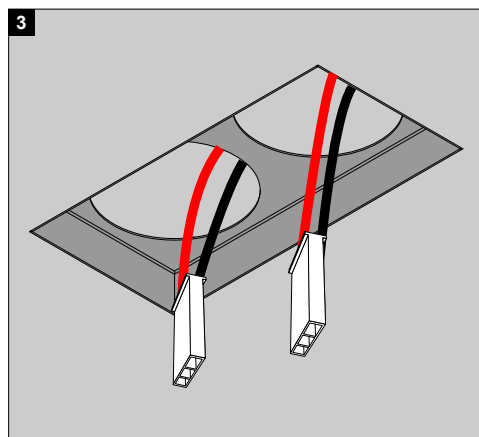
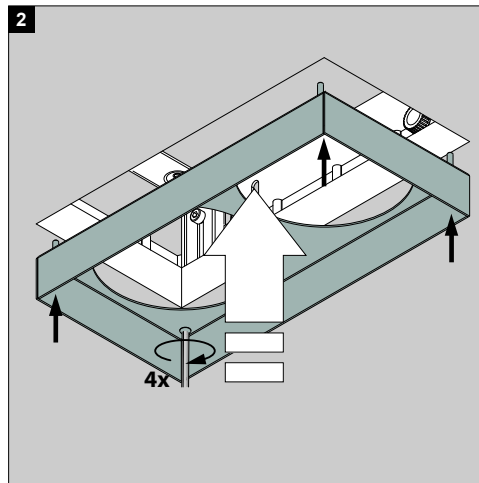
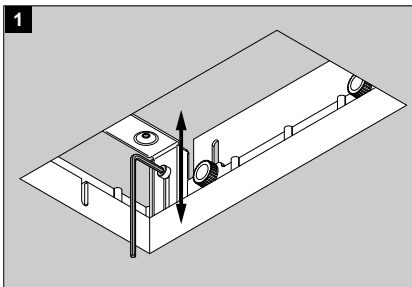
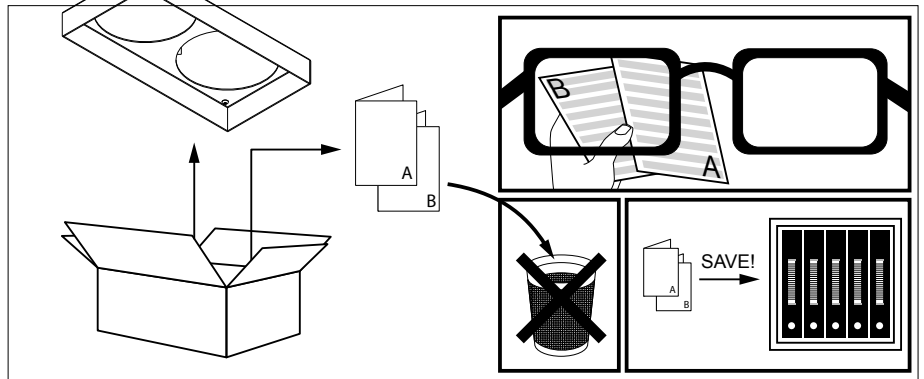
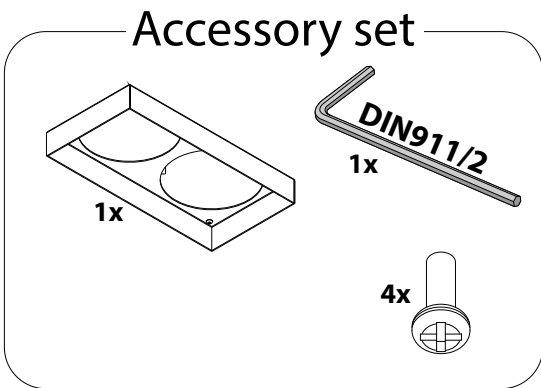
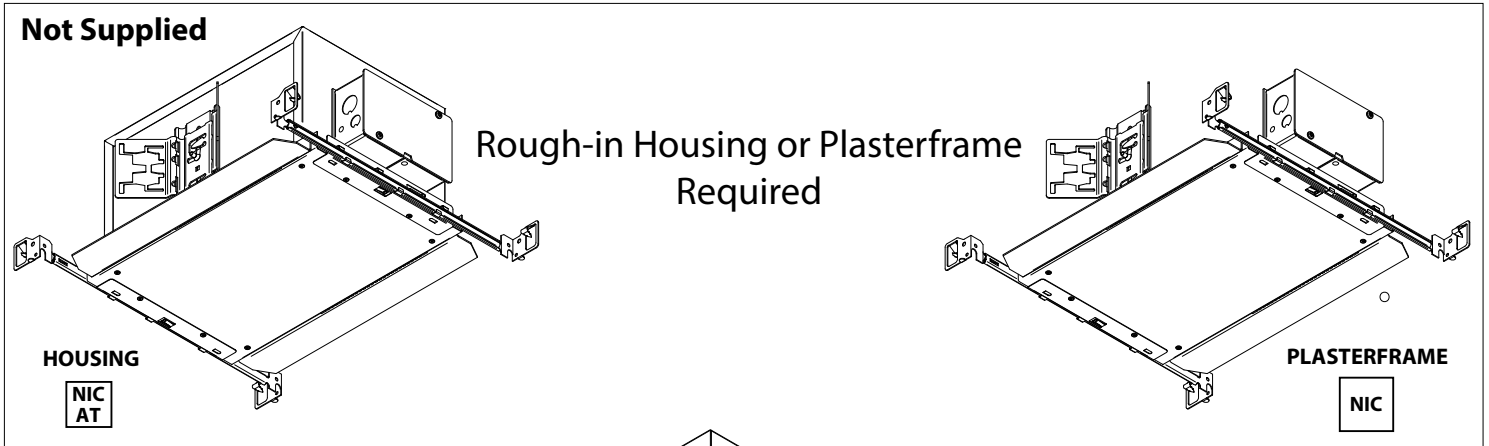
Housing for NIC and/or airtight applications

Range	Installation type	Power/Dimming	Voltage	Mounting Option		
			1 - 120V 2 - 277V 3 - 120-277V	0 - No bar hangers 1 - Bar hangers standard		
6	202	15 - IC AT Housing ML B	45 - 16,8W 1-10V dimmable	67	1 - 120V	1 - Bar hangers standard
6	202	15 - IC AT Housing ML B	53 - 24,3W 1-10V dimmable	67	2 - 277V	1 - Bar hangers standard
6	202	15 - IC AT Housing ML B	84 - 16,8W Lutron dimmable	67	1 - 120V	1 - Bar hangers standard
6	202	15 - IC AT Housing ML B	89 - 24,3W Lutron dimmable	67	2 - 277V	1 - Bar hangers standard

**Plasterframe for NIC applications**

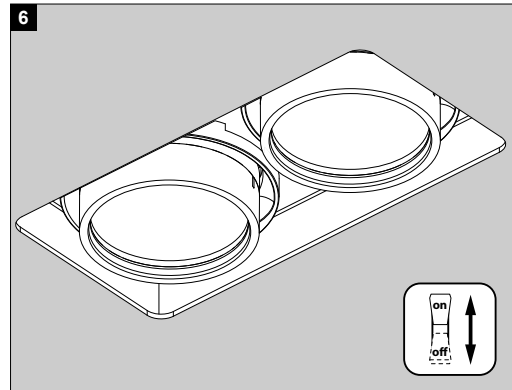
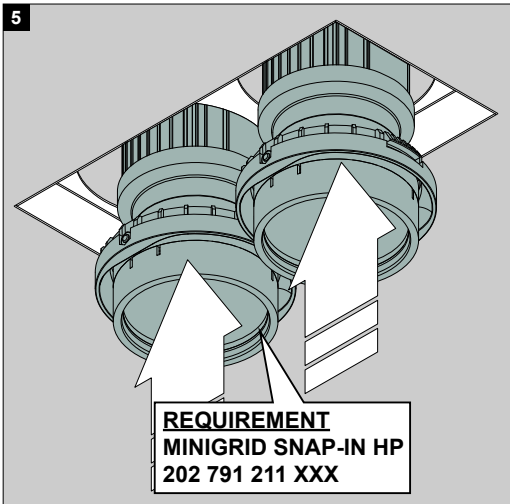
Range	Installation type	Power/Dimming	Voltage	Mounting Option		
			1 - 120V 2 - 277V 3 - 120-277V	0 - No bar hangers 1 - Bar hangers standard		
6	202	02 - NIC Plasterframe M	45 - 16,8W 1-10V dimmable	67	1 - 120V	1 - Bar hangers standard
6	202	02 - NIC Plasterframe M	45 - 16,8W 1-10V dimmable	67	2 - 277V	1 - Bar hangers standard
6	202	02 - NIC Plasterframe M	53 - 24,3W 1-10V dimmable	67	1 - 120V	1 - Bar hangers standard
6	202	02 - NIC Plasterframe M	53 - 24,3W 1-10V dimmable	67	2 - 277V	1 - Bar hangers standard
6	202	02 - NIC Plasterframe M	84 - 16,8W Lutron dimmable	67	1 - 120V	1 - Bar hangers standard
6	202	02 - NIC Plasterframe M	84 - 16,8W Lutron dimmable	67	2 - 277V	1 - Bar hangers standard
6	202	02 - NIC Plasterframe M	89 - 24,3W Lutron dimmable	67	1 - 120V	1 - Bar hangers standard
6	202	02 - NIC Plasterframe M	89 - 24,3W Lutron dimmable	67	2 - 277V	1 - Bar hangers standard

 **INSTALLATION LUMINAIRE**





## INSTALLATION LUMINAIRE



De verlichtingsbron van dit verlichtingstoestel zal enkel door de fabrikant of door de fabrikant aangestelde installateur vervangen worden.

La source lumière de cet appareil ne sera remplacée que par l'entreprise ou par un agent reconnu.

Das enthaltene Leuchtmittel sollte nur durch entsprechendes Fachpersonal ersetzt werden.

The light source contained in this luminaire shall only be replaced by the manufacturer or his service agent.

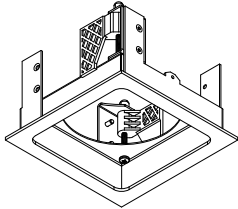
La fuente de iluminación que tiene esta luminaria sólo puede remplazarse por el fabricante o por un instalador autorizado.

La sorgente luminosa incorporata in questo apparecchio può essere sostituita solo dal produttore, da un suo centro assistenza oppure da una persona in possesso della necessaria abilitazione.

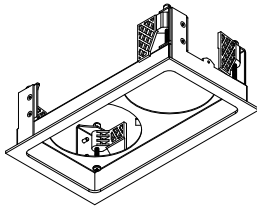


 **INSTALLATION LUMINAIRE**

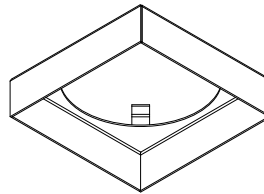
**Required (Not Supplied): MINIGRID IN HP FRAME, MINIGRID IN TRIMLESS HP FRAME**



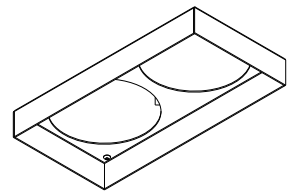
MINIGRID IN 1 HP FRAME



MINIGRID IN 2 HP FRAME



MINIGRID IN TRIMLESS 1 HP FRAME



MINIGRID IN TRIMLESS 2 HP FRAME

