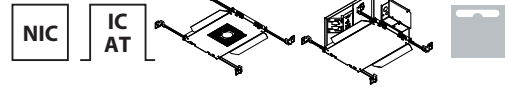
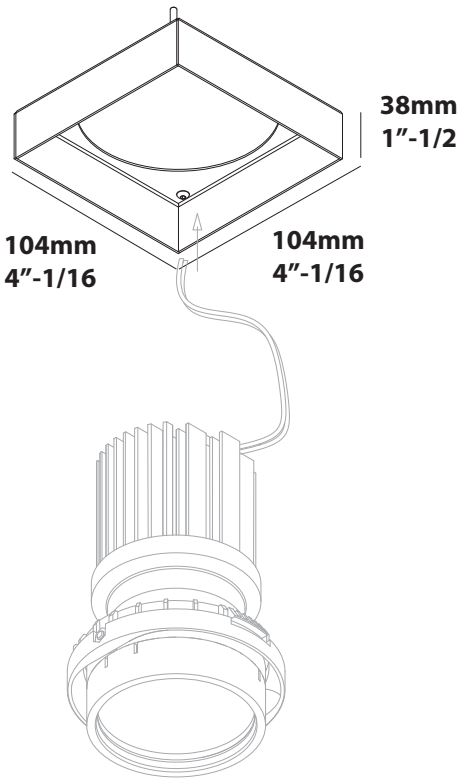


MINIGRID IN TRIMLESS 1 HP FRAME

6 202 792 01◇

◇ = W / B



Application

Finishing section to be used with DELTA LIGHT® rough-in housing or Plasterframe.

Ceiling Thickness

For 5/8" ceiling standard up to 7/8"

Specification features

Housing fabricated of surface treated aluminum
 Provided with 4 spring clips to be clipped in housing or plasterframe
 Suitable for dry and damp locations.

Light source (see requirement MINIGRID SNAP-IN HP)

One 24,3W max POWERLED WHITE

Power Supply (see requirement MINIGRID SNAP-IN HP)

Current controled class 2 power supply required. (supplied with housing or plasterframe)
 700mA: 34,7V typical for use with MINIGRID SNAP-IN HP
 Do not interconnect in parallel!

Dimensions

Height: 38mm = 1"-1/2
 width: 104mm x 104mm = 4"-1/8 x 4"-1/8

Required options for non-class 2 power limited circuits

Housing for NIC and/or airtight applications

| Range | Installation type | Power/Dimming | Voltage | Mounting Option | | |
|-------|-------------------|-------------------------|--------------------------------------|--|----------|--------------------------|
| | | | 1 - 120V 2 - 277V 3 - 120-277V | 0 - No bar hangers 1 - Bar hangers standard | | |
| 6 | 202 | 14 - IC AT Housing ML B | 45 - 16,8W 1-10V dimmable | 66 | 1 - 120V | 1 - Bar hangers standard |
| 6 | 202 | 14 - IC AT Housing ML B | 53 - 24,3W 1-10V dimmable | 66 | 2 - 277V | 1 - Bar hangers standard |
| 6 | 202 | 14 - IC AT Housing ML B | 84 - 16,8W Lutron dimmable | 66 | 1 - 120V | 1 - Bar hangers standard |
| 6 | 202 | 14 - IC AT Housing ML B | 89 - 24,3W Lutron dimmable | 66 | 2 - 277V | 1 - Bar hangers standard |

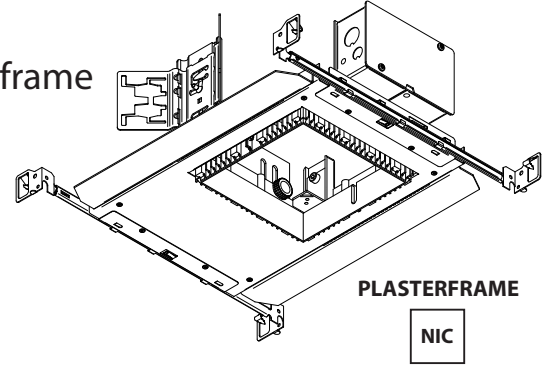
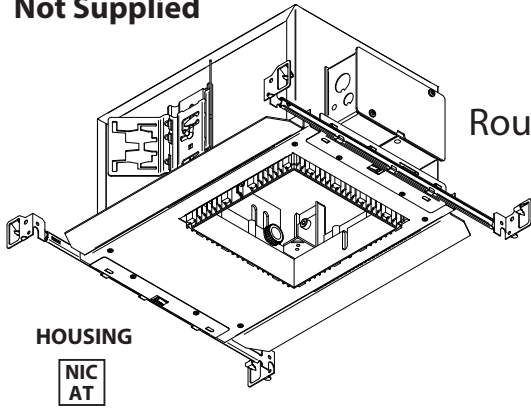
Plasterframe for NIC applications

| Range | Installation type | Power/Dimming | Voltage | Mounting Option | | |
|-------|-------------------|-------------------------|--------------------------------------|--|----------|--------------------------|
| | | | 1 - 120V 2 - 277V 3 - 120-277V | 0 - No bar hangers 1 - Bar hangers standard | | |
| 6 | 202 | 02 - NIC Plasterframe M | 45 - 16,8W 1-10V dimmable | 66 | 1 - 120V | 1 - Bar hangers standard |
| 6 | 202 | 02 - NIC Plasterframe M | 45 - 16,8W 1-10V dimmable | 66 | 2 - 277V | 1 - Bar hangers standard |
| 6 | 202 | 02 - NIC Plasterframe M | 53 - 24,3W 1-10V dimmable | 66 | 1 - 120V | 1 - Bar hangers standard |
| 6 | 202 | 02 - NIC Plasterframe M | 53 - 24,3W 1-10V dimmable | 66 | 2 - 277V | 1 - Bar hangers standard |
| 6 | 202 | 02 - NIC Plasterframe M | 84 - 16,8W Lutron dimmable | 66 | 1 - 120V | 1 - Bar hangers standard |
| 6 | 202 | 02 - NIC Plasterframe M | 84 - 16,8W Lutron dimmable | 66 | 2 - 277V | 1 - Bar hangers standard |
| 6 | 202 | 02 - NIC Plasterframe M | 89 - 24,3W Lutron dimmable | 66 | 1 - 120V | 1 - Bar hangers standard |
| 6 | 202 | 02 - NIC Plasterframe M | 89 - 24,3W Lutron dimmable | 66 | 2 - 277V | 1 - Bar hangers standard |

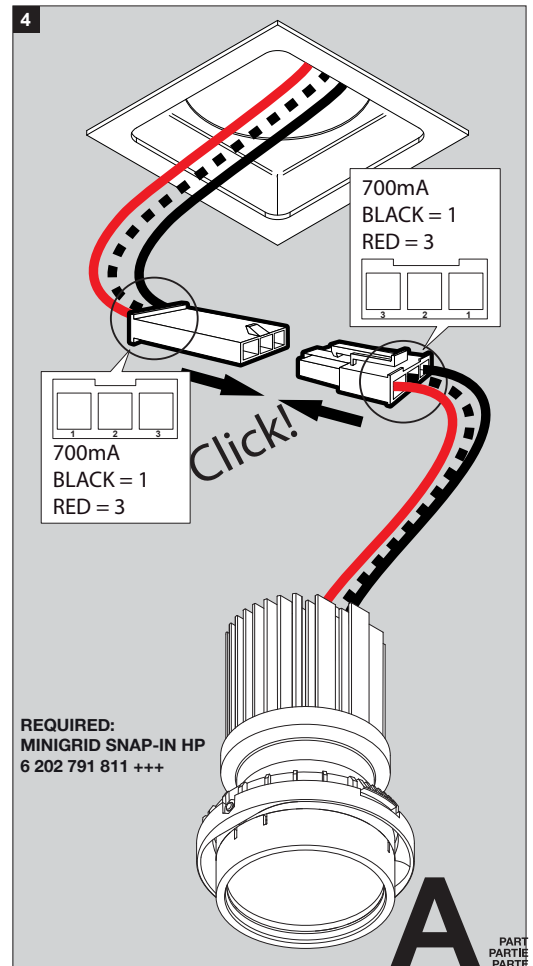
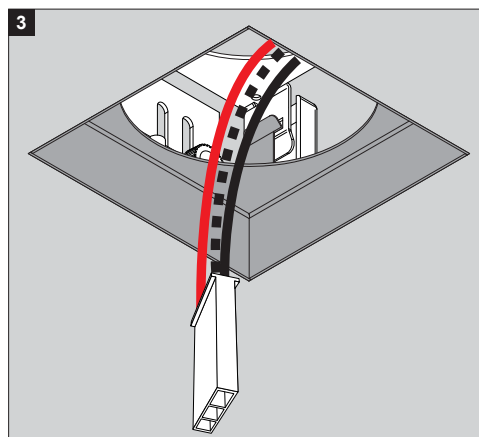
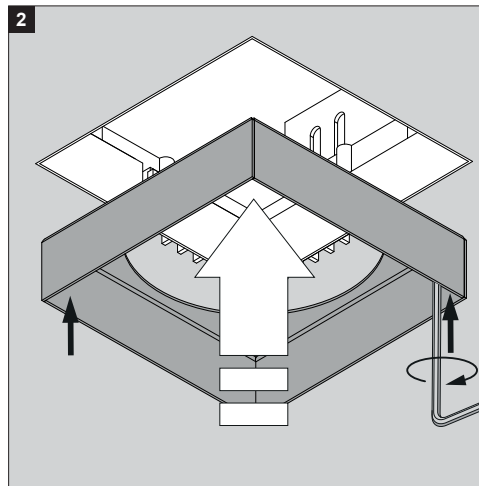
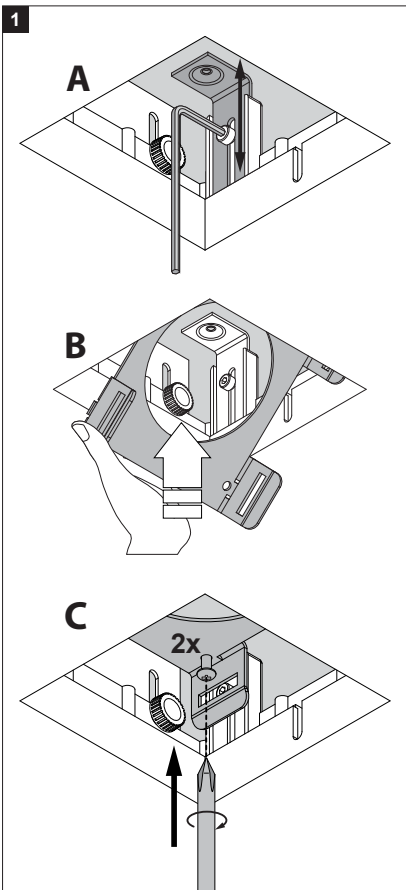
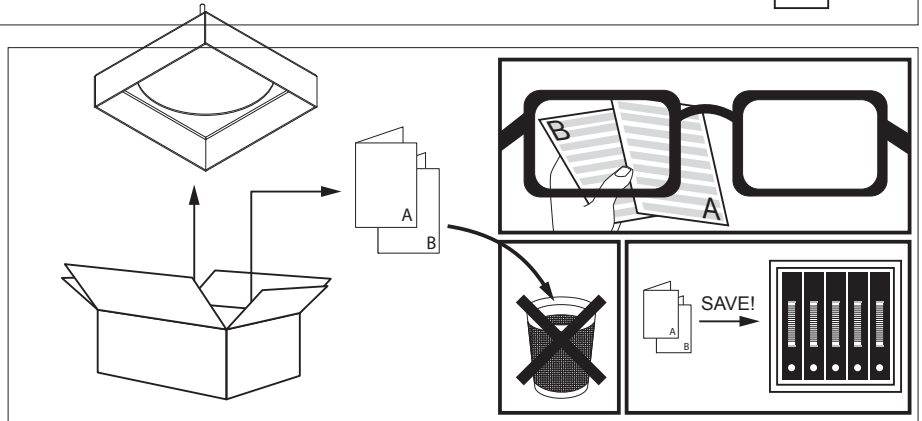
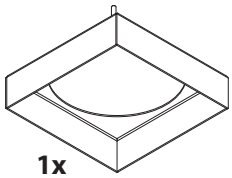
 **INSTALLATION LUMINAIRE**

Not Supplied

Rough-in Housing or Plasterframe Required

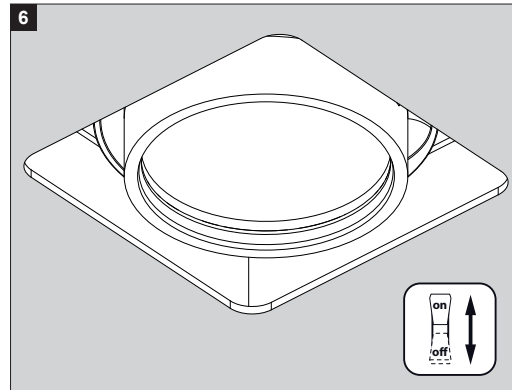
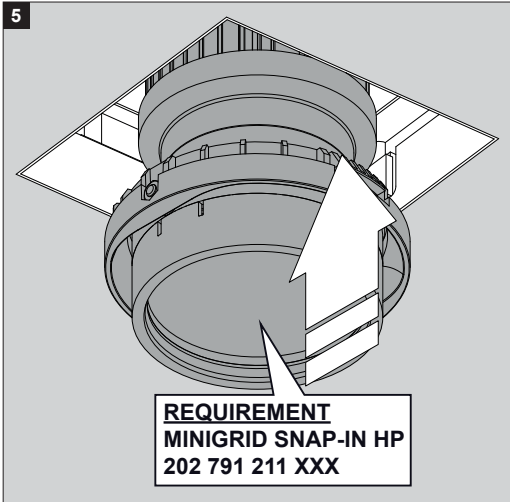


Accessory set





INSTALLATION LUMINAIRE



De verlichtingsbron van dit verlichtingstoestel zal enkel door de fabrikant of door de fabrikant aangestelde installateur vervangen worden.

La source lumière de cet appareil ne sera remplacée que par l'entreprise ou par un agent reconnu.

Das enthaltene Leuchtmittel sollte nur durch entsprechendes Fachpersonal ersetzt werden.

The light source contained in this luminaire shall only be replaced by the manufacturer or his service agent.

La fuente de iluminación que tiene esta luminaria sólo puede remplazarse por el fabricante o por un instalador autorizado.

La sorgente luminosa incorporata in questo apparecchio può essere sostituita solo dal produttore, da un suo centro assistenza oppure da una persona in possesso della necessaria abilitazione.

- MINIGRID SNAP-IN HP 92718 ◇
6 202 791 211 921 ◇
◇ = B / W
- MINIGRID SNAP-IN HP 92733 ◇
6 202 791 211 922 ◇
◇ = B / W
- MINIGRID SNAP-IN HP 92750 ◇
6 202 791 211 923 ◇
◇ = B / W
- MINIGRID SNAP-IN HP 93018 ◇
6 202 791 211 931 ◇
◇ = B / W
- MINIGRID SNAP-IN HP 93033 ◇
6 202 791 211 932 ◇
◇ = B / W
- MINIGRID SNAP-IN HP 93050 ◇
6 202 791 211 933 ◇
◇ = B / W
- MINIGRID SNAP-IN HP 93518 ◇
6 202 791 211 951 ◇
◇ = B / W
- MINIGRID SNAP-IN HP 93533 ◇
6 202 791 211 952 ◇
◇ = B / W
- MINIGRID SNAP-IN HP 93550 ◇
6 202 791 211 953 ◇
◇ = B / W



Application

Finishing section to be used in combination with DELTA LIGHT® MINIGRID IN FRAME, MINIGRID IN TRIMLESS FRAME or MINIGRID ON BOX

Ceiling Thickness

For 5/8" ceiling standard up to 7/8"

Light source

For MAX. one 24,3W POWERLED WHITE

Power Supply

Current controlled Class 2 power supply required. (supplied with box, housing or plasterframe)
Max 700mA, typical forward voltage 34,7V. Do not interconnect in parallel!

Connector

Wires are connected to a pre-installed snap-in connector

Specification features

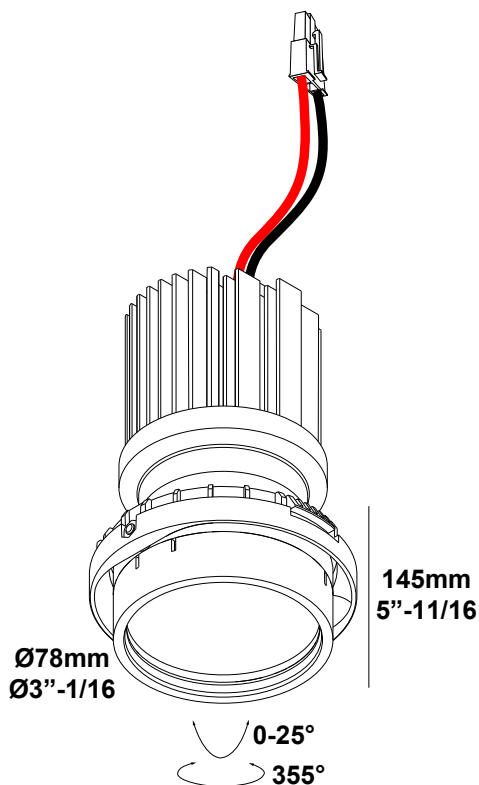
Powder coated aluminum assembly
Adjustable 0°- 20° / 350°
Suitable for dry or damp locations

Dimensions

Height: 145mm = 5"-11/16
Width: Ø78mm = Ø3"-1/16

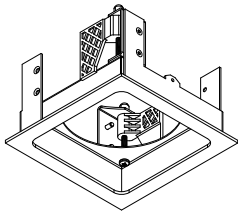
Compatible with

| | |
|------------------------------|--------------|
| MINIGRID IN 1 HP FRAME | 6 202 791 01 |
| MINIGRID IN 2 FRAME | 6 202 791 02 |
| MINIGRID IN TRIMLESS 1 FRAME | 6 202 792 01 |
| MINIGRID IN TRIMLESS 2 FRAME | 6 202 792 02 |

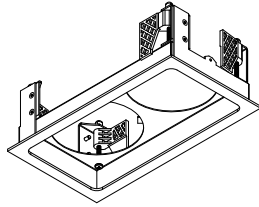


 **INSTALLATION LUMINAIRE**

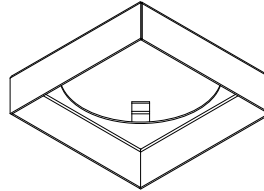
Required (Not Supplied): MINIGRID IN HP FRAME, MINIGRID IN TRIMLESS HP FRAME



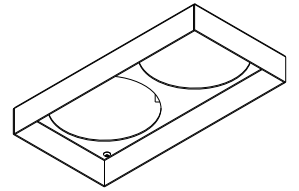
MINIGRID IN 1 HP FRAME



MINIGRID IN 2 HP FRAME



MINIGRID IN TRIMLESS 1 HP FRAME



MINIGRID IN TRIMLESS 2 HP FRAME

