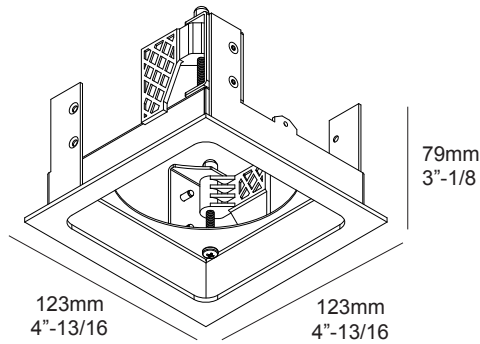


MINIGRID IN 1 HP FRAME ◊
 6 202 791 01 ◊
 ◊ = W-B / W-W



Application

Finishing section to be used in combination with DELTA LIGHT® MINIGRID IN SNAP-IN HP

Ceiling Thickness

For 5/8" ceiling standard up to 7/8"

Power Supply

Current controlled Class 2 power supply required.
 Max 700mA, typical forward voltage 34,7V. Do not interconnect in parallel!

Specification features

Powder coated aluminum assembly
 Suitable for dry or damp locations

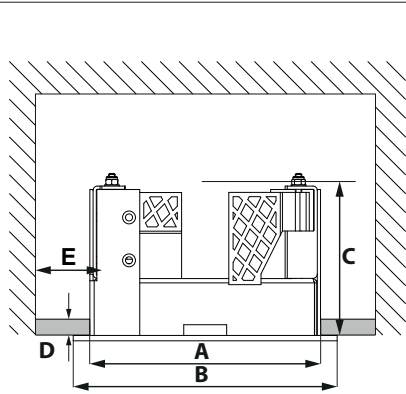
Dimensions






Height: 79mm = 3"-1/8
 cross section: 123 x 123 mm = 4"-13/16 x 4"-13/16

Accessories

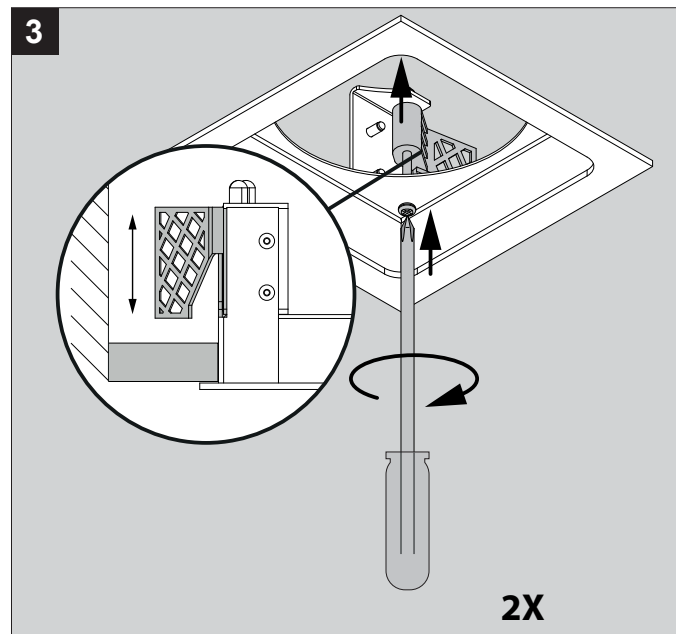
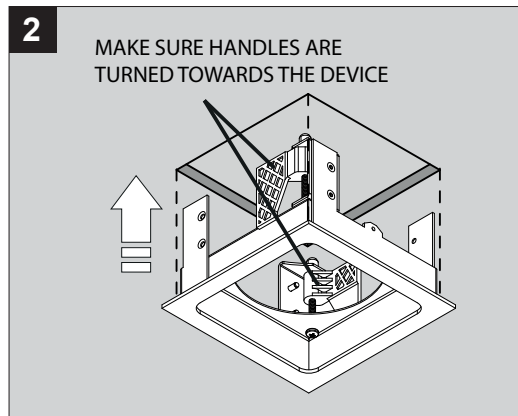
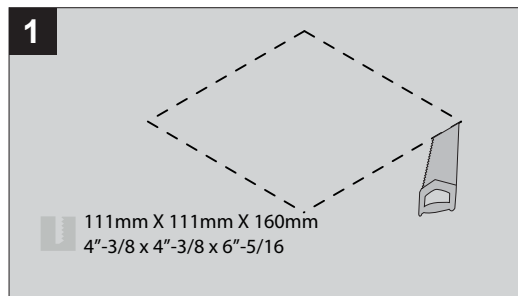
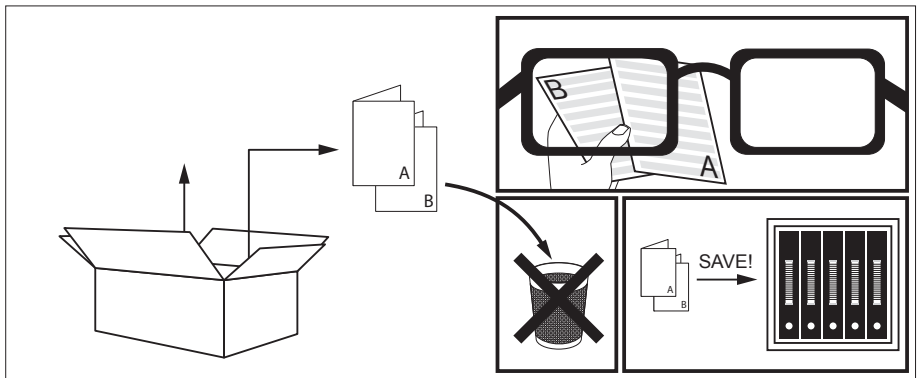
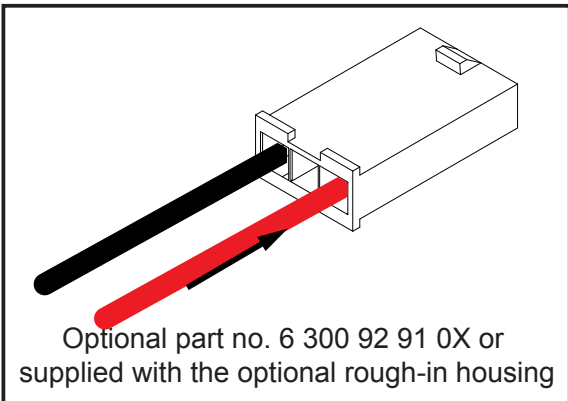
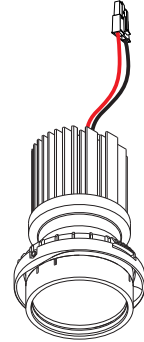
Honeycomb 72 201 05 01
 Softening lens 72 201 05 04

 **INSTALLATION LUMINAIRE**



		mm	Inch
	A	111x111	4"-3/8 x 4"-3/8
	B	123x123	4"-13/16 x 4"-13/16
	C	160	6"-5/16
	D	MAX. 25	1"
	E	≥100	≥3"-15/16

**Required (Not Supplied):
MINIGRID SNAP-IN HP**



- MINIGRID SNAP-IN HP 92718 ◇
6 202 791 211 921 ◇
◇ = B / W
- MINIGRID SNAP-IN HP 92733 ◇
6 202 791 211 922 ◇
◇ = B / W
- MINIGRID SNAP-IN HP 92750 ◇
6 202 791 211 923 ◇
◇ = B / W
- MINIGRID SNAP-IN HP 93018 ◇
6 202 791 211 931 ◇
◇ = B / W
- MINIGRID SNAP-IN HP 93033 ◇
6 202 791 211 932 ◇
◇ = B / W
- MINIGRID SNAP-IN HP 93050 ◇
6 202 791 211 933 ◇
◇ = B / W
- MINIGRID SNAP-IN HP 93518 ◇
6 202 791 211 951 ◇
◇ = B / W
- MINIGRID SNAP-IN HP 93533 ◇
6 202 791 211 952 ◇
◇ = B / W
- MINIGRID SNAP-IN HP 93550 ◇
6 202 791 211 953 ◇
◇ = B / W



Application

Finishing section to be used in combination with DELTA LIGHT® MINIGRID IN FRAME, MINIGRID IN TRIMLESS FRAME or MINIGRID ON BOX

Ceiling Thickness

For 5/8" ceiling standard up to 7/8"

Light source

For MAX. one 24,3W POWERLED WHITE

Power Supply

Current controlled Class 2 power supply required. (supplied with box, housing or plasterframe)
Max 700mA, typical forward voltage 34,7V. Do not interconnect in parallel!

Connector

Wires are connected to a pre-installed snap-in connector

Specification features

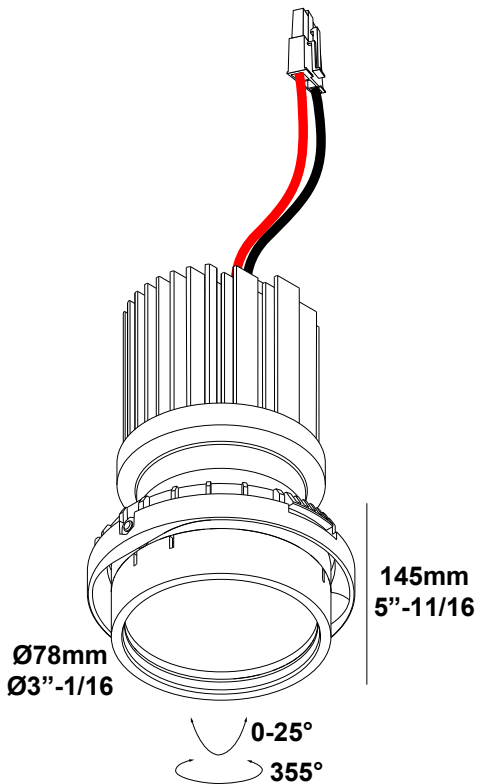
Powder coated aluminum assembly
Adjustable 0°- 20° / 350°
Suitable for dry or damp locations

Dimensions

Height: 145mm = 5"-11/16
Width: Ø78mm = Ø3"-1/16

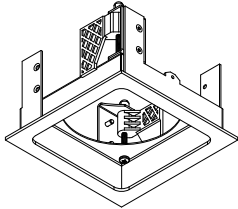
Compatible with

MINIGRID IN 1 HP FRAME	6 202 791 01
MINIGRID IN 2 FRAME	6 202 791 02
MINIGRID IN TRIMLESS 1 FRAME	6 202 792 01
MINIGRID IN TRIMLESS 2 FRAME	6 202 792 02

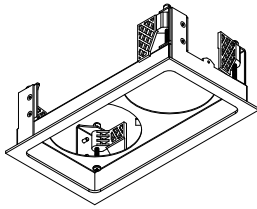


 **INSTALLATION LUMINAIRE**

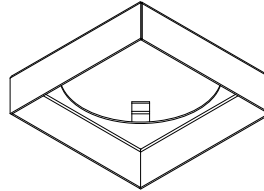
Required (Not Supplied): MINIGRID IN HP FRAME, MINIGRID IN TRIMLESS HP FRAME



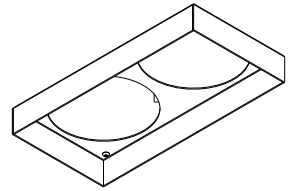
MINIGRID IN 1 HP FRAME



MINIGRID IN 2 HP FRAME



MINIGRID IN TRIMLESS 1 HP FRAME



MINIGRID IN TRIMLESS 2 HP FRAME

