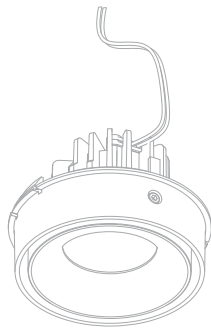
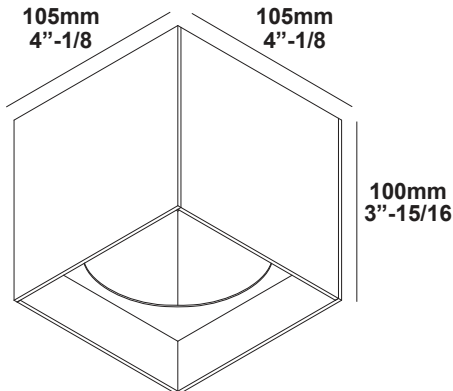


**MINIGRID ON 150 BOX DIM8** ◇

6 202 79 01 ED8 ◇

◇ = W / B



**Application**

Ceiling surface mounted  
Installation to a standard 4" octagonal box  
For indoor use only

**Color Finish**

W - White  
B - Black

**Light source**

1 x MINIGRID SNAP-IN REO 10,4W (not supplied, to be ordered separately, see requirements)

**Product description**

Surface treated aluminum  
Led module Snap-in minigrid on box  
Electronic power supply included. 120V input / 60Hz  
500mA current controlled class 2 output, mains dimmable  
Suitable for dry and damp locations  
Protected against solid objects greater than 12mm → IP20  
Weight: 3,1lbs 1,4kg

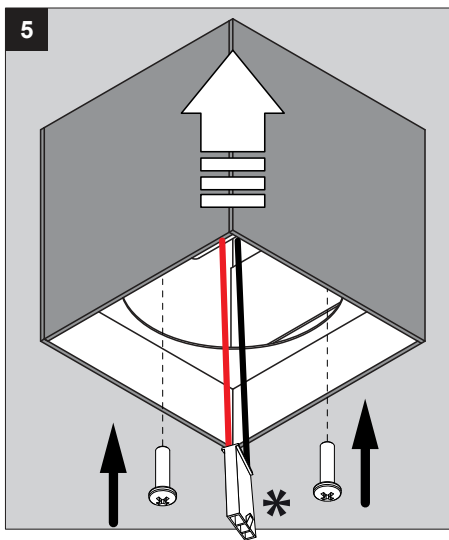
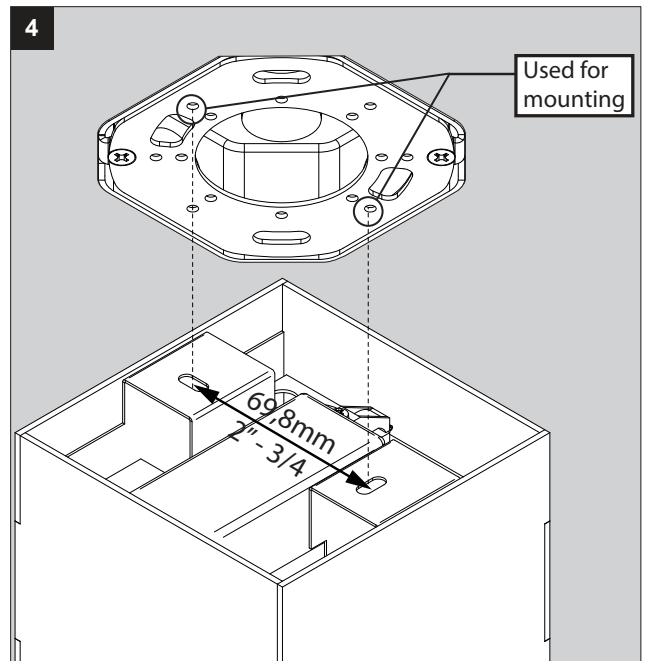
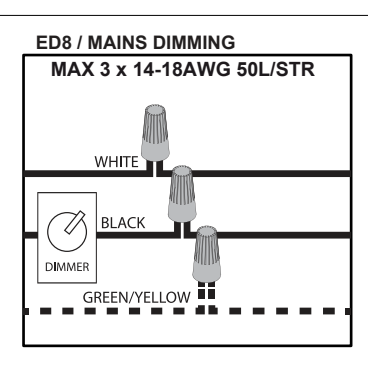
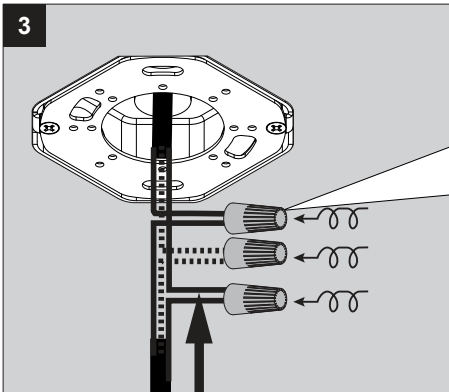
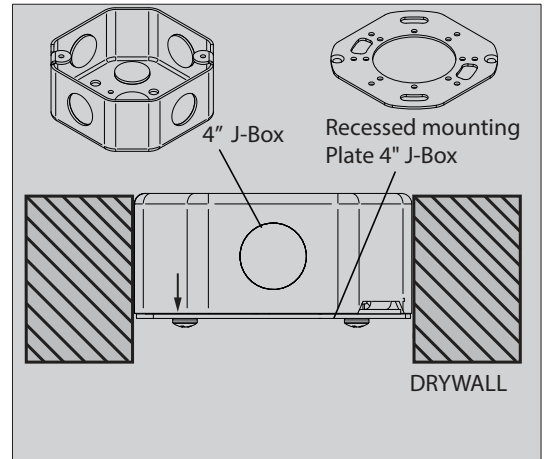
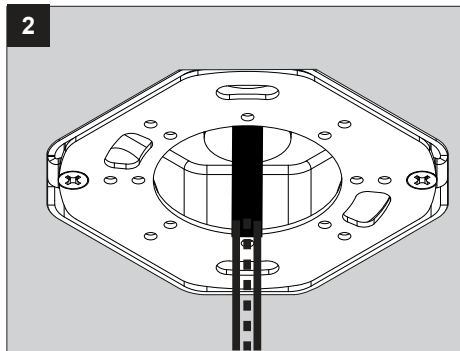
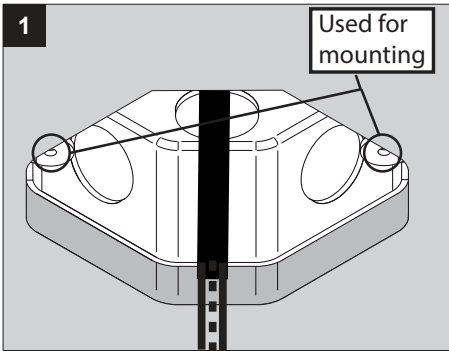
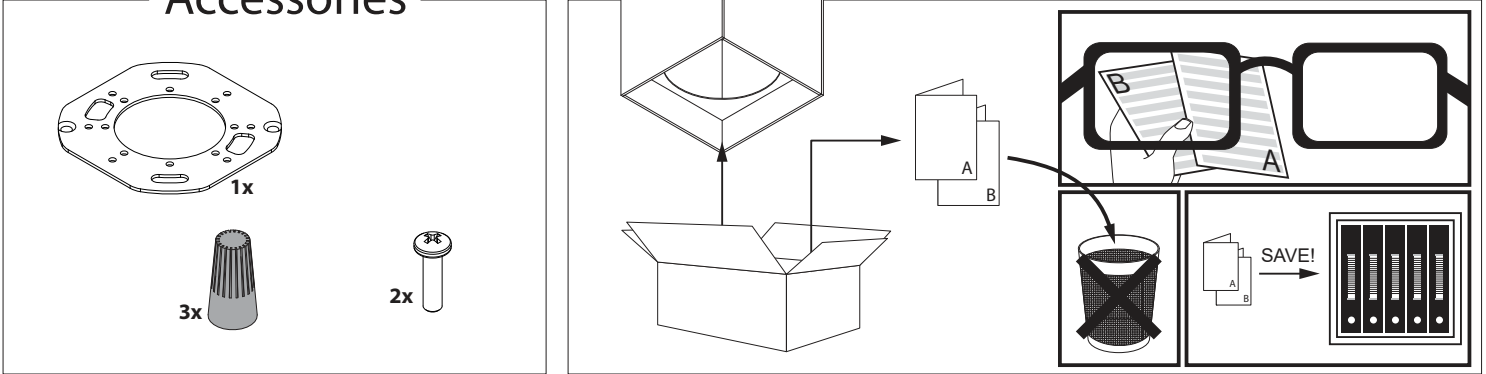
**Requirements**

6 202 790 811 XXX

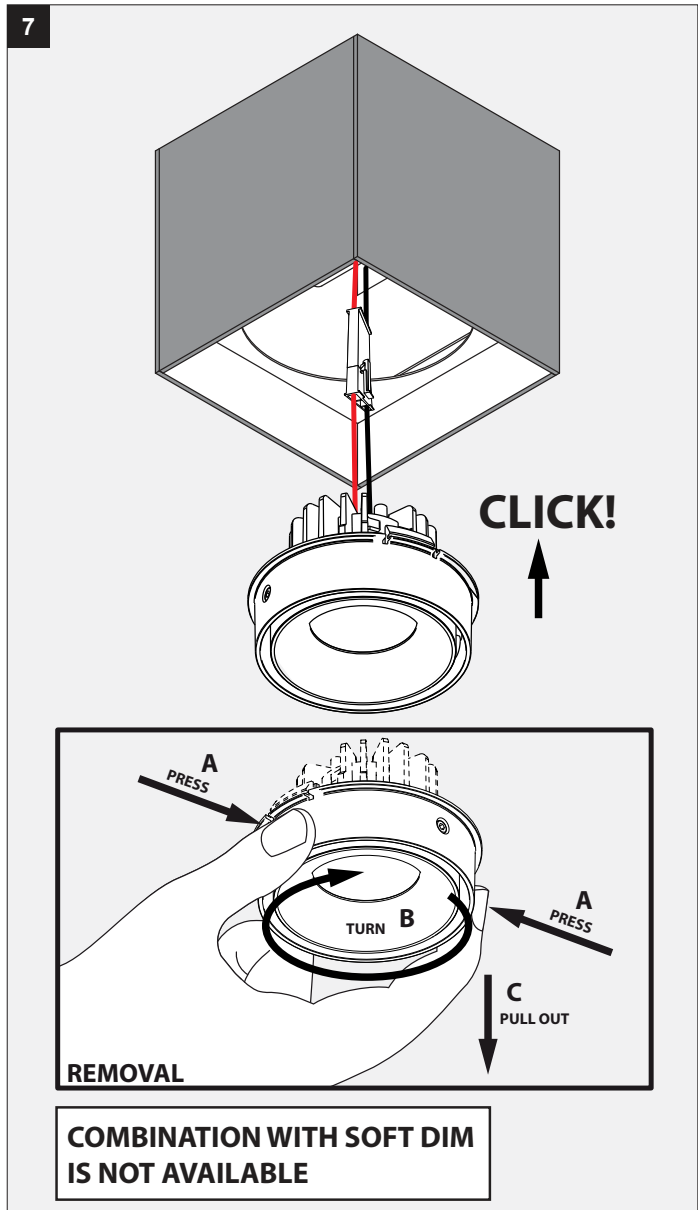
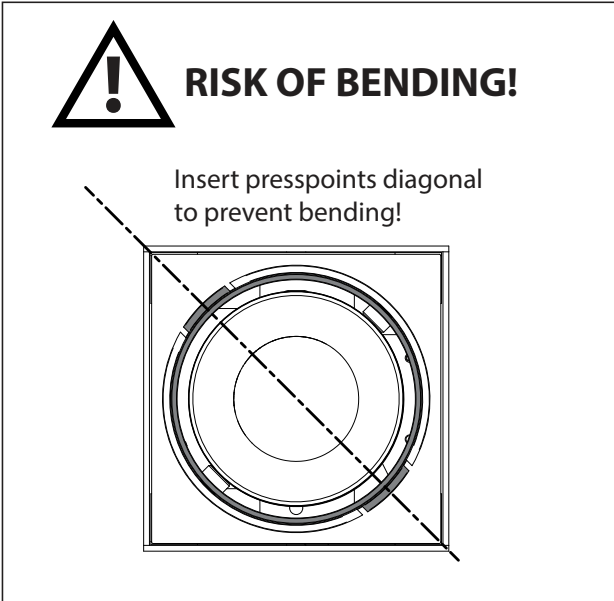
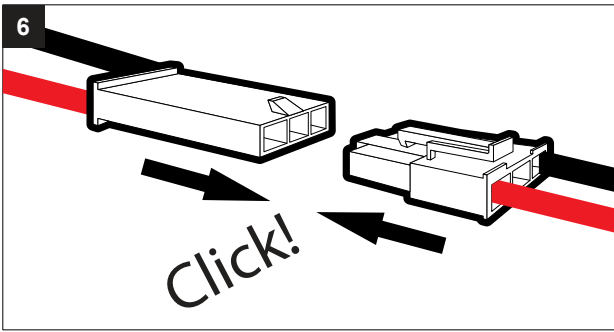
MINIGRID SNAP-IN REO XXXXX

 INSTALLATION LUMINAIRE

Accessories



 **INSTALLATION LUMINAIRE**



- MINIGRID SNAP-IN 92718 ◇  
6 202 790 811 921 ◇  
◇ = B / W
- MINIGRID SNAP-IN 92733 ◇  
6 202 790 811 922 ◇  
◇ = B / W
- MINIGRID SNAP-IN 92750 ◇  
6 202 790 811 923 ◇  
◇ = B / W
- MINIGRID SNAP-IN 93018 ◇  
6 202 790 811 931 ◇  
◇ = B / W
- MINIGRID SNAP-IN 93033 ◇  
6 202 790 811 932 ◇  
◇ = B / W
- MINIGRID SNAP-IN 93050 ◇  
6 202 790 811 933 ◇  
◇ = B / W
- MINIGRID SNAP-IN 93518 ◇  
6 202 790 811 951 ◇  
◇ = B / W
- MINIGRID SNAP-IN 93533 ◇  
6 202 790 811 952 ◇  
◇ = B / W
- MINIGRID SNAP-IN 93550 ◇  
6 202 790 811 953 ◇  
◇ = B / W



**Application**

Finishing section to be used in combination with DELTA LIGHT® MINIGRID IN FRAME, MINIGRID IN TRIMLESS FRAME or MINIGRID ON BOX

**Ceiling Thickness**

For 5/8" ceiling standard up to 7/8"

**Light source**

For two max 10,4W POWERLED WHITE

**Power Supply**

Current controlled Class 2 power supply required. (supplied with box, housing or plasterframe)  
Max 500mA, typical forward voltage 20,7V. Do not interconnect in parallel!

**Connector**

Wires are connected to a pre-installed snap-in connector

**Specification features**

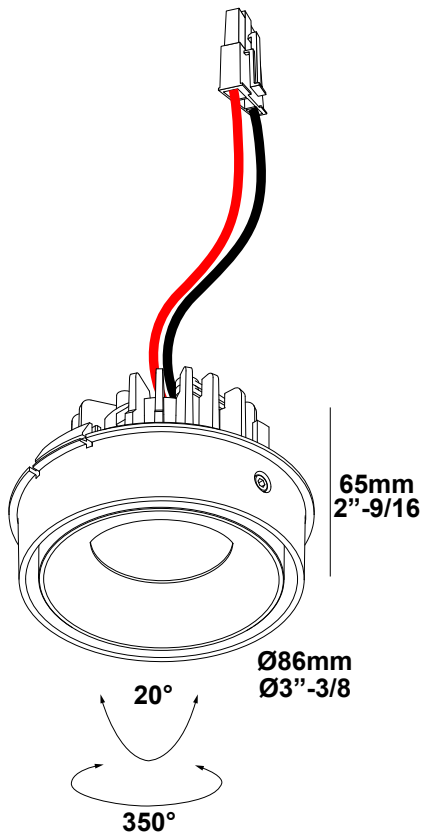
Powder coated aluminum assembly  
Adjustable 0°- 20° / 350°  
Suitable for dry or damp locations

**Dimensions**

Height: 54mm = 2"-1/8  
Width: Ø115mm = Ø4"-1/2

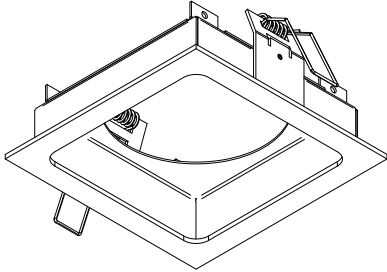
**Compatible with**

MINIGRID IN 1 FRAME	6 202 74 01
MINIGRID IN 2 FRAME	6 202 74 02
MINIGRID IN TRIMLESS 1 FRAME	6 202 73 01
MINIGRID IN TRIMLESS 2 FRAME	6 202 73 02
MINIGRID ON 1 BOX DIM8	6 202 79 01
MINIGRID ON 2 BOX DIM8	6 202 79 02
MINIGRID ON 3 BOX DIM8	6 202 79 03

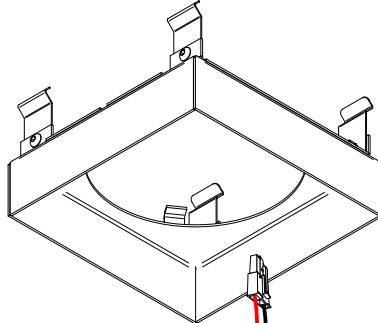


# INSTALLATION LUMINAIRE

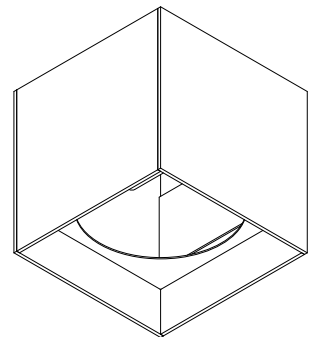
**Required (Not Supplied): MINIGRID IN FRAME, MINIGRID IN TRIMLESS FRAME or MINIGRID ON BOX**



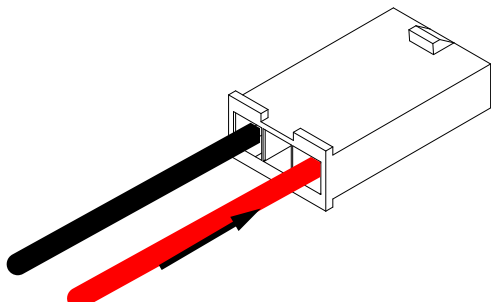
MINIGRID IN FRAME



MINIGRID IN TRIMLESS FRAME



MINIGRID ON BOX



Optional part no. 6 300 92 91 0X or supplied with the optional rough-in housing

