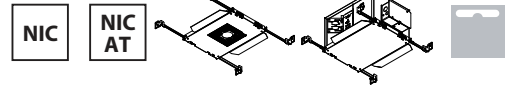
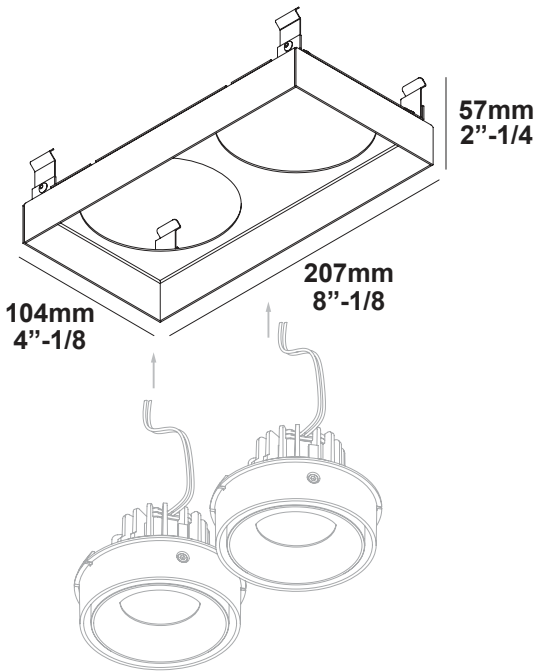


MINIGRID IN TRIMLESS 2 FRAME ◇

6 202 73 02 ◇

◇ = W / B



**Application**

Finishing section to be used with DELTA LIGHT® rough-in housing or Plasterframe.

**Ceiling Thickness**

For 5/8" ceiling standard up to 7/8"

**Specification features**

Housing fabricated of surface treated aluminum  
 Provided with 4 spring clips to be clipped in housing or plasterframe  
 Suitable for dry and damp locations

**Light source (see requirement MINIGRID SNAP-IN REO)**

Two 9,3W max POWERLED WHITE

**Power Supply (see requirement MINIGRID SNAP-IN REO)**

Current controled class 2 power supply required. (supplied with housing or plasterframe)  
 500mA: 18V typical for use with MINIGRID SNAP-IN REO  
 Do not interconnect in parallel!

**Dimensions**

Height: 57mm = 2"-1/4  
 width: 104mm x 207mm = 4"-1/8 x 8"-1/8

**Required options for non-class 2 power limited circuits**

Housing for NIC and/or airtight applications

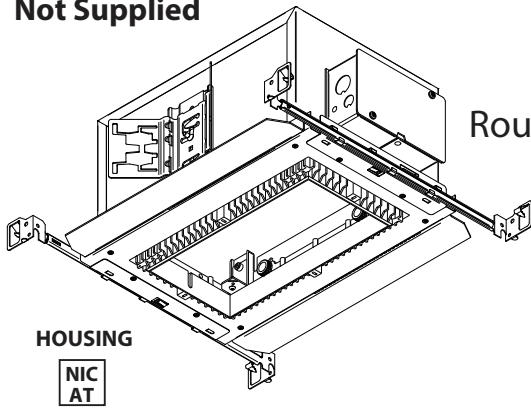
Range	Installation type	Lamp Source	Opening	Voltage		Mounting Option	
				1 - 120V 2 - 277V 3 - 120-277V	0 - No bar hangers 1 - Bar hangers standard		
6 202	2 - NIC AT Housing M	45 - 500mA-DC 25W ED1	20 - MGITR2 MTK	3 - 120-277V	1 - Bar hangers standard		
6 202	2 - NIC AT Housing M	63 - 500mA-DC 22W ED8	20 - MGITR2 MTK	1 - 120V	1 - Bar hangers standard		
6 202	2 - NIC AT Housing M	87 - 500mA-DC 20W	20 - MGITR2 MTK	1 - 120V	1 - Bar hangers standard		
6 202	2 - NIC AT Housing M	89 - 500mA-DC 27W ED10	20 - MGITR2 MTK	3 - 120-277V	1 - Bar hangers standard		

**Plasterframe for NIC applications**

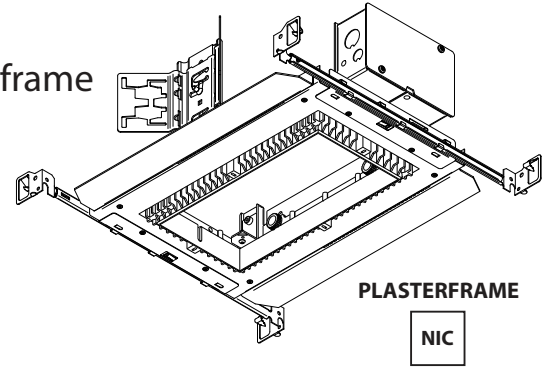
Range	Installation type	Lamp Source	Opening	Voltage		Mounting Option	
				1 - 120V 2 - 277V 3 - 120-277V	0 - No bar hangers 1 - Bar hangers standard		
6 202	01 - NIC Plasterframe S	45 - 500mA-DC 25W ED1	20 - MGITR2 MTK	3 - 120-277V	1 - Bar hangers standard		
6 202	01 - NIC Plasterframe S	63 - 500mA-DC 22W ED8	20 - MGITR2 MTK	1 - 120V	1 - Bar hangers standard		
6 202	01 - NIC Plasterframe S	87 - 500mA-DC 20W	20 - MGITR2 MTK	1 - 120V	1 - Bar hangers standard		
6 202	01 - NIC Plasterframe S	89 - 500mA-DC 27W ED10	20 - MGITR2 MTK	3 - 120-277V	1 - Bar hangers standard		

 **INSTALLATION LUMINAIRE**

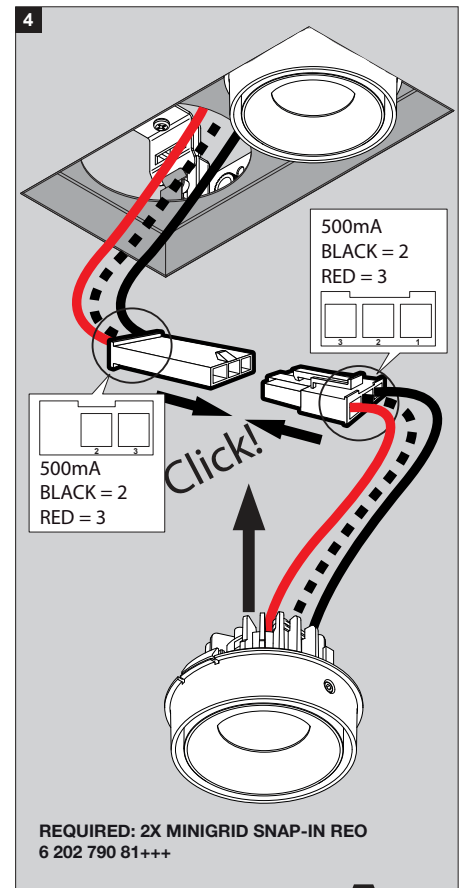
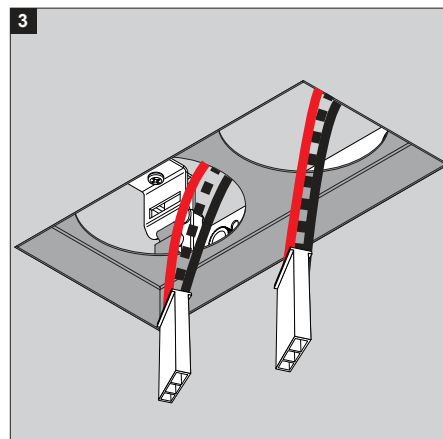
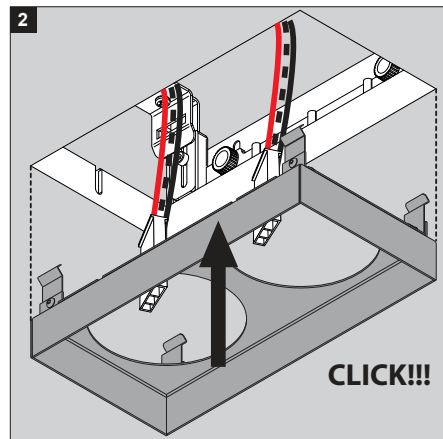
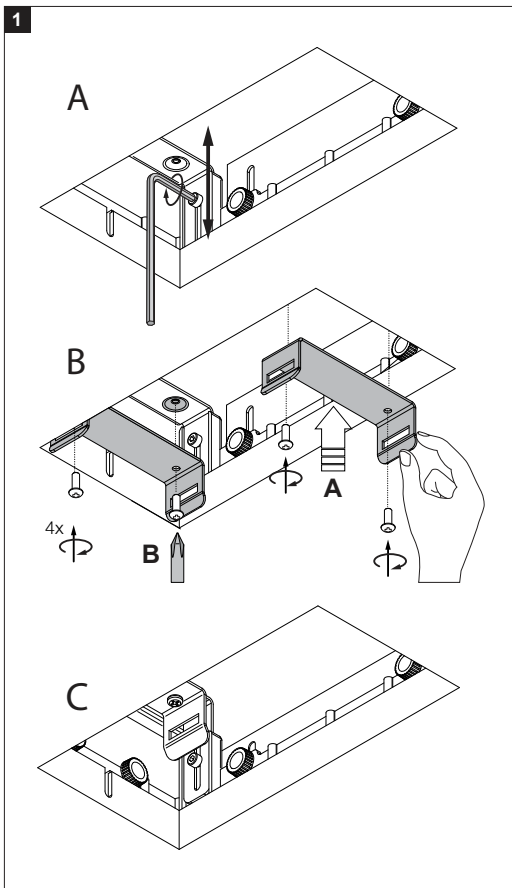
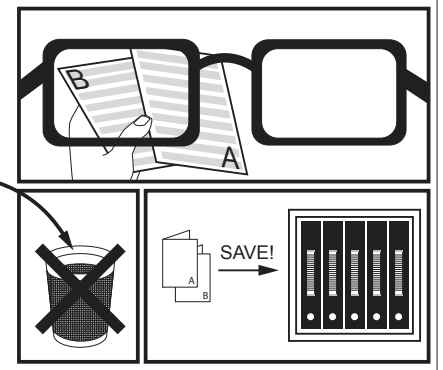
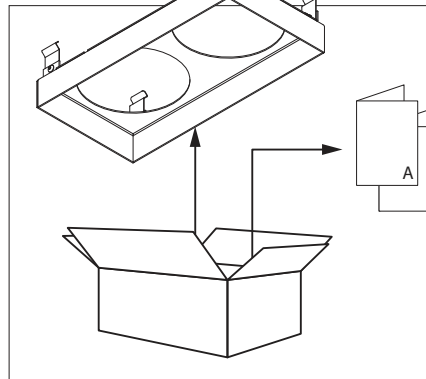
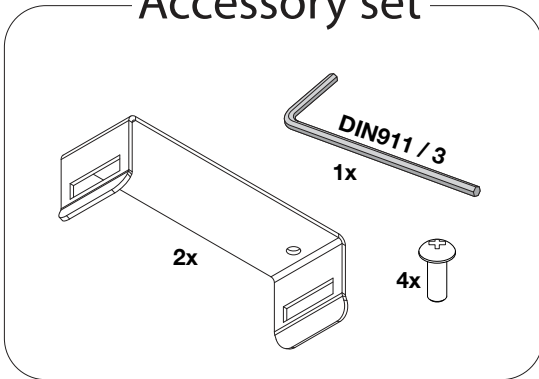
**Not Supplied**



Rough-in Housing or Plasterframe  
Required



**Accessory set**



- MINIGRID SNAP-IN 92718 ◇  
6 202 790 811 921 ◇  
◇ = B / W
- MINIGRID SNAP-IN 92733 ◇  
6 202 790 811 922 ◇  
◇ = B / W
- MINIGRID SNAP-IN 92750 ◇  
6 202 790 811 923 ◇  
◇ = B / W
- MINIGRID SNAP-IN 93018 ◇  
6 202 790 811 931 ◇  
◇ = B / W
- MINIGRID SNAP-IN 93033 ◇  
6 202 790 811 932 ◇  
◇ = B / W
- MINIGRID SNAP-IN 93050 ◇  
6 202 790 811 933 ◇  
◇ = B / W
- MINIGRID SNAP-IN 93518 ◇  
6 202 790 811 951 ◇  
◇ = B / W
- MINIGRID SNAP-IN 93533 ◇  
6 202 790 811 952 ◇  
◇ = B / W
- MINIGRID SNAP-IN 93550 ◇  
6 202 790 811 953 ◇  
◇ = B / W



**Application**

Finishing section to be used in combination with DELTA LIGHT® MINIGRID IN FRAME, MINIGRID IN TRIMLESS FRAME or MINIGRID ON BOX

**Ceiling Thickness**

For 5/8" ceiling standard up to 7/8"

**Light source**

For two max 10,4W POWERLED WHITE

**Power Supply**

Current controlled Class 2 power supply required. (supplied with box, housing or plasterframe)  
Max 500mA, typical forward voltage 20,7V. Do not interconnect in parallel!

**Connector**

Wires are connected to a pre-installed snap-in connector

**Specification features**

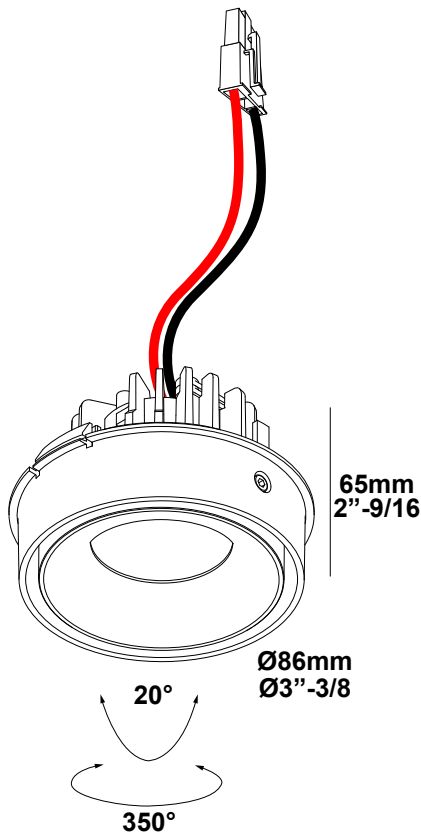
Powder coated aluminum assembly  
Adjustable 0°- 20° / 350°  
Suitable for dry or damp locations

**Dimensions**

Height: 54mm = 2"-1/8  
Width: Ø115mm = Ø4"-1/2

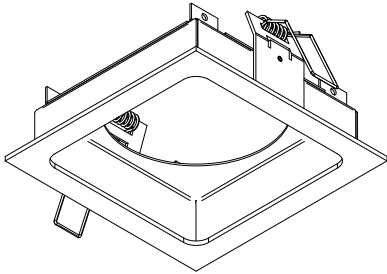
**Compatible with**

MINIGRID IN 1 FRAME	6 202 74 01
MINIGRID IN 2 FRAME	6 202 74 02
MINIGRID IN TRIMLESS 1 FRAME	6 202 73 01
MINIGRID IN TRIMLESS 2 FRAME	6 202 73 02
MINIGRID ON 1 BOX DIM8	6 202 79 01
MINIGRID ON 2 BOX DIM8	6 202 79 02
MINIGRID ON 3 BOX DIM8	6 202 79 03

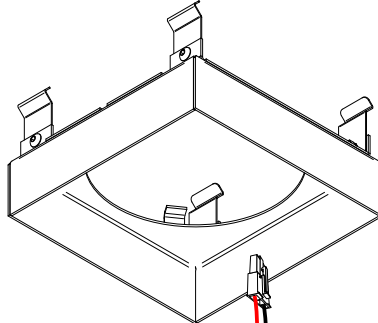


# INSTALLATION LUMINAIRE

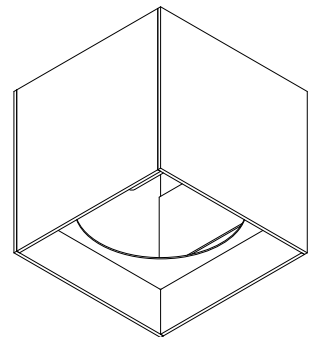
**Required (Not Supplied): MINIGRID IN FRAME, MINIGRID IN TRIMLESS FRAME or MINIGRID ON BOX**



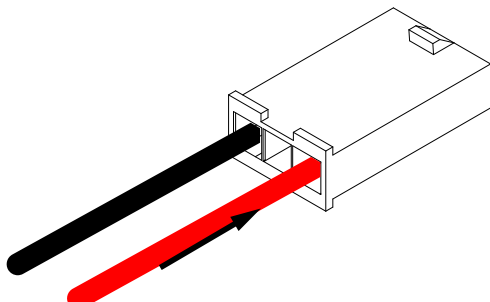
MINIGRID IN FRAME



MINIGRID IN TRIMLESS FRAME



MINIGRID ON BOX



Optional part no. 6 300 92 91 0X or supplied with the optional rough-in housing

