

**LED FLEX IN SMALL**

300 91 51 92 (2700K)  
 300 91 51 93 (3000K)  
 300 91 51 94 (4000K)



LED STRIP 8,5W / m // CRI>90 // 820lm/m  
 DIVIDABLE PER 29,4mm  
 MACADAM 3 STEP LED  
 EXCL.LED POWER SUPPLY 24V-DC  
 MAX.5m  
 MIN. BEND RADIUS 25mm  
 MIN. BEND DIAMETER 50mm  
 NON REPLACEABLE LEDS

Class: III  
 Weigth: 0.1 KG  
 Protection level: IP20  
 Minimum Distance 29,4mm

|          |                |                                    |
|----------|----------------|------------------------------------|
| Options: | 300 89 24 150  | LED POWER SUPPLY 24V-DC / 150W     |
|          | 300 89 24 20   | LED POWER SUPPLY 24V-DC / 20W      |
|          | 300 89 24 40   | LED POWER SUPPLY 24V-DC / 40W      |
|          | 300 89 24 60   | LED POWER SUPPLY 24V-DC / 60W      |
|          | 300 89 24 80   | LED POWER SUPPLY 24V-DC / 80W DIM1 |
|          | 300 90 003 ED1 | 24V-DC / 4A DIM1 UNIT              |
|          | 300 90 003 ED5 | 24V-DC / 4A DIM5 UNIT              |
|          | 300 90 010     | 24V-DC / 4A WIRELESS DIM UNIT      |
|          | 300 90 24 ED2  | LED DIMMODULE 24V / 3CH / 6A DIM2  |
|          | 300 90 60      | LED POWER SUPPLY MUTLI-POWER DIM7  |
|          | 300 90 61      | LED POWER SUPPLY MUTLI-POWER DIM6  |
|          | 300 90 64      | LED POWER SUPPLY MUTLI-POWER DIM7  |

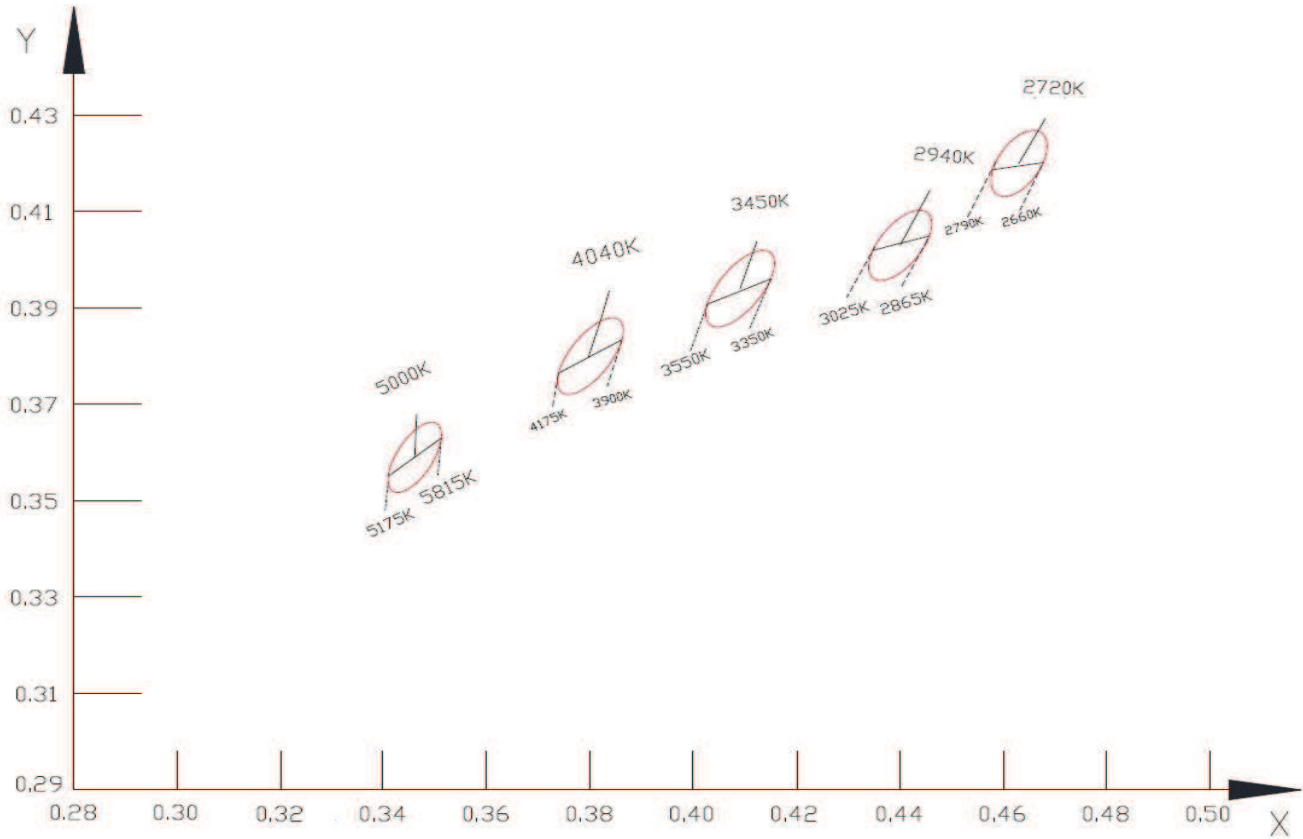
## TECHNICAL DATA

| ITEM              | UNIT  | DATA                                |         | ITEM                        | UNIT               | DATA       |
|-------------------|-------|-------------------------------------|---------|-----------------------------|--------------------|------------|
| LED Type          | /     | SMD 2016                            |         | LED quantity / m            | PCS                | 238        |
| LED Brand         | /     | Epistar or equivalent               |         | LED power dissipation / m   | W                  | 8,57       |
| Beam angle        | 201/2 | 120                                 |         | STRIP power dissipation / m | W                  | 9,8        |
| PCB type          | Type  | 1+2oz copper 4mm wide               |         | Luminous flux ( Typical )   | lm/m               | 1100       |
| Length            | M     | 1                                   |         | Efficacy (3000K)            | lm/W               | 115        |
| Protection degree | IP    | IP20                                |         | Operating voltage           | V-DC               | 24         |
| Tape              | /     | 3M 9495 200MP                       |         | Operating current / ù       | A                  | 0,408      |
| Color             | /     | WW / NW / CW                        |         | Ta (Ambient temperature)    | °C                 | -20°C~60°C |
| 13-202750 23 00   | 2700K | 27S (2660K-2790K)<br>X=0.463 Y=0.42 | 115lm/w | Tc (Surface temperature)    | °C                 | Max. 67    |
| 13-203050 23 00   | 3000K | 29S (2865K-3025K)<br>X=0.44 Y=0.403 | 115lm/w | Heatsing                    | cm <sup>2</sup> /m | 294        |
| 13-204050 23 00   | 4000K | 40S (2900K-4175K)<br>X=0.38 Y=0.38  | 120lm/w | Waranty period              | Year               | 3          |
|                   |       |                                     |         | Lifetime                    | Hr                 | 30000      |
|                   |       |                                     |         | CRI                         | Ra                 | ≧ 90       |

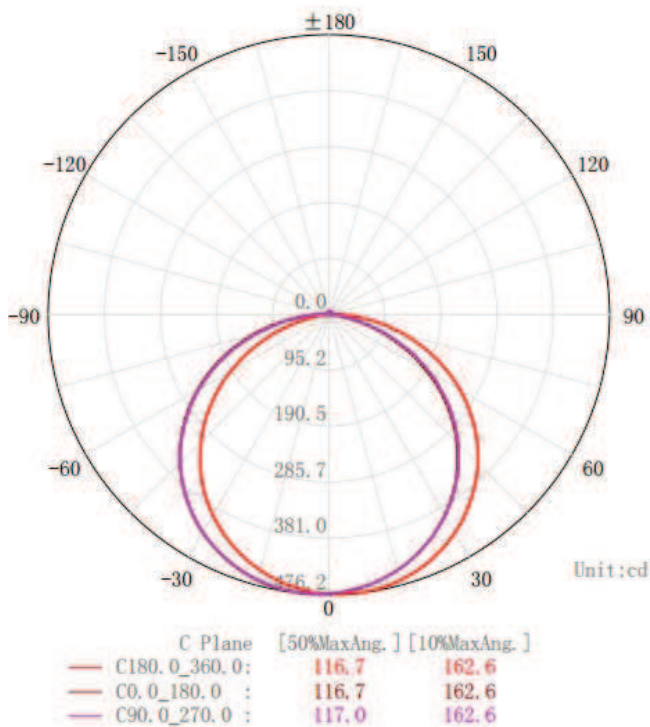
## Color rendering index (CRI): (Sample test results)

|    |    |    |    |    |    |    |    |    |     |     |     |     |     |     |       |
|----|----|----|----|----|----|----|----|----|-----|-----|-----|-----|-----|-----|-------|
| R1 | R2 | R3 | R4 | R5 | R6 | R7 | R8 | R9 | R10 | R11 | R12 | R13 | R14 | R15 | CCT   |
| 97 | 99 | 98 | 92 | 94 | 95 | 93 | 92 | 88 | 100 | 93  | 70  | 100 | 100 | 96  | 3000K |

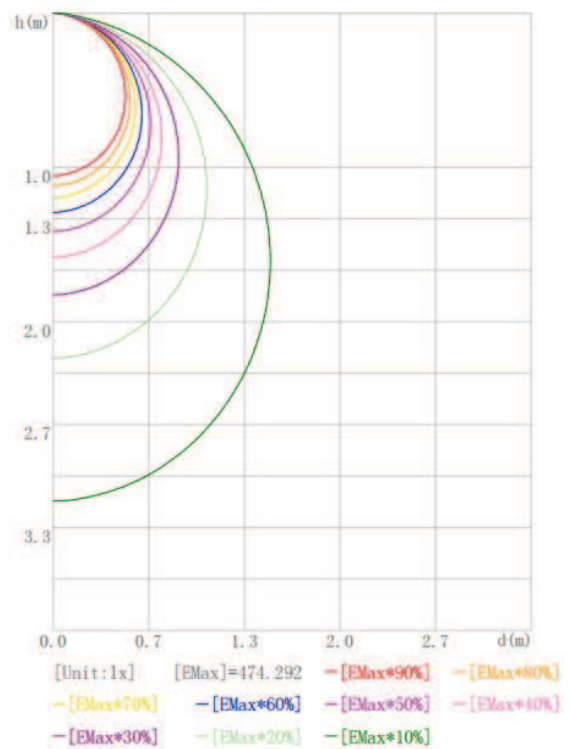
**X,Y Chromacity co-ordinates**



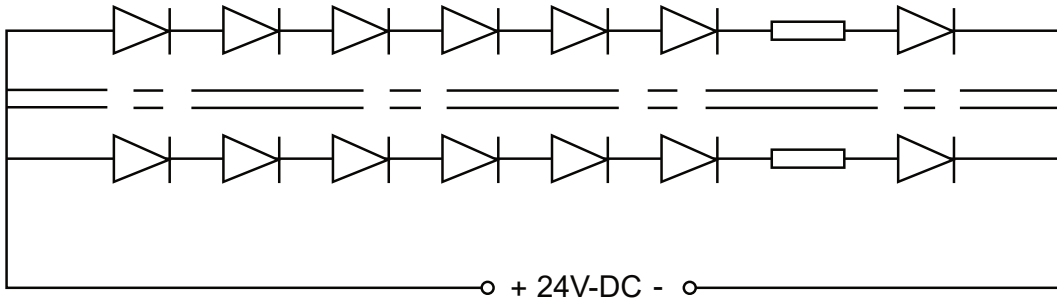
**Photometric code (1m)**



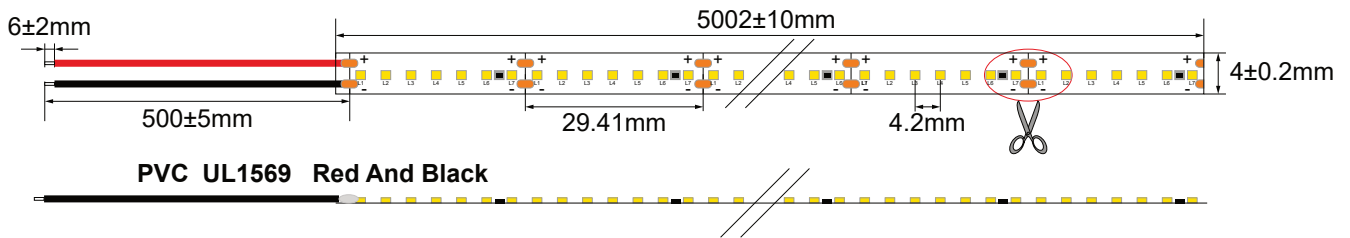
**C0 Space ISO Illuminance Curve**



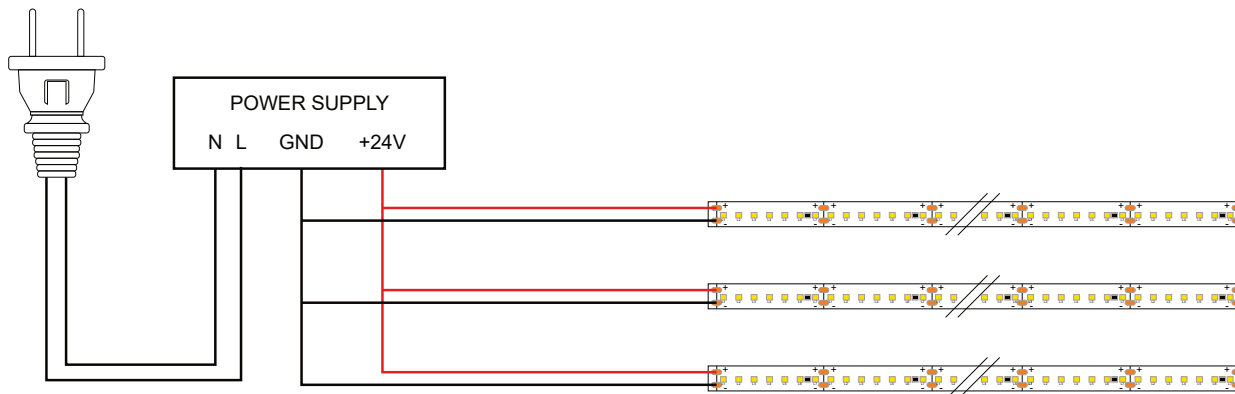
**Layout**



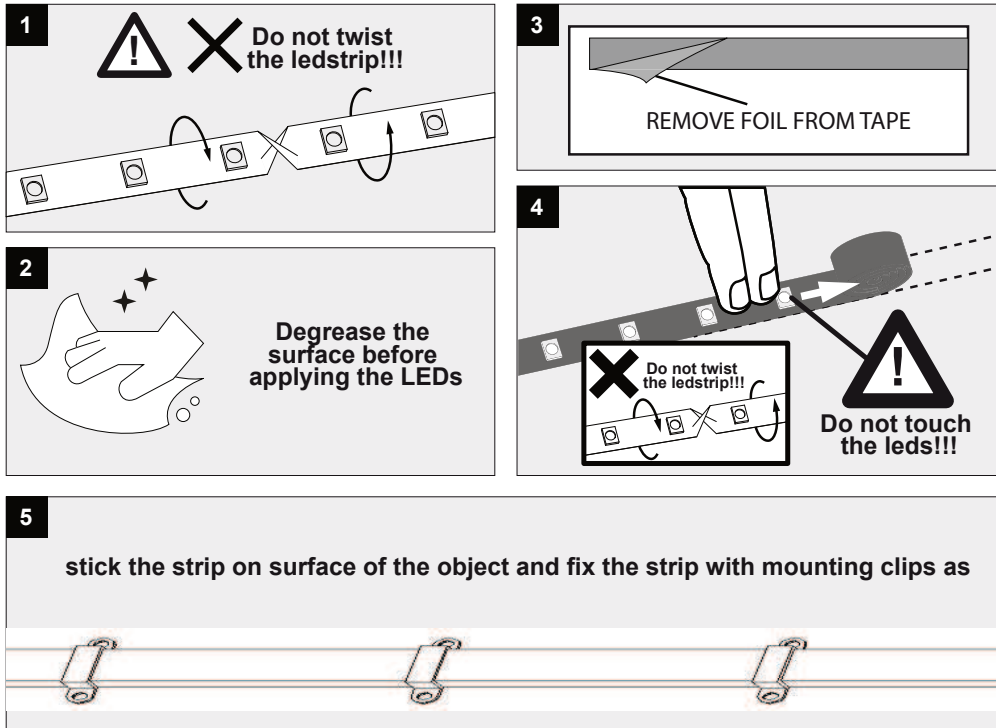
**Outline Drawing**



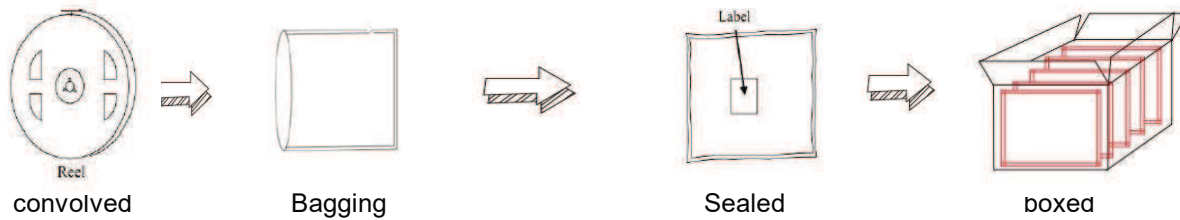
**Connection Diagram**



**Mounting**



**Package 5m**



**Warning**

- ★ Do not cut the strip while connecting to the power supply.
- ★ Do not connect to power higher than the rated voltage.
- ★ Do not twist the strip
- ★ Do not pull the strip
- ★ The LEDs are not replaceable
- ★ The minimal bending radius : 25 mm, diameter = 50 mm
- ★ Do not connect the LED strip with reversed voltage polarity

**Notice**

- ※ Power supply used has to be with suitable voltage and current.
- ※ On lighting up the strip, please use power supply with 20% more power rating than the strip's power consumption.